



2009  
**MOLDING CATALOG**

Phone (845) 485-4105 • Fax (845) 485-4106  
19c Industry St, Poughkeepsie, NY 12603  
*[firstcutcustomwoodworks.com](http://firstcutcustomwoodworks.com)*



Standard profiles:

Crown Molding.....	1-10
Casing.....	11-18
Base Molding.....	19-24
Base Cap.....	25-26
Chair Rails.....	27-28
Hand Rails .....	29-32
Full, Half & Quarter Rounds, Coves & Beads.....	33-34
Stops, Panel Molding, Picture Molding & Canvas Stretcher.....	35-36
Astragals & Mullions .....	37-38
Window Stools & Aprons .....	39-40
Rosettes & Plinth Blocks.....	41-42
Flooring, Wainscoting, Paneling & S4S.....	43

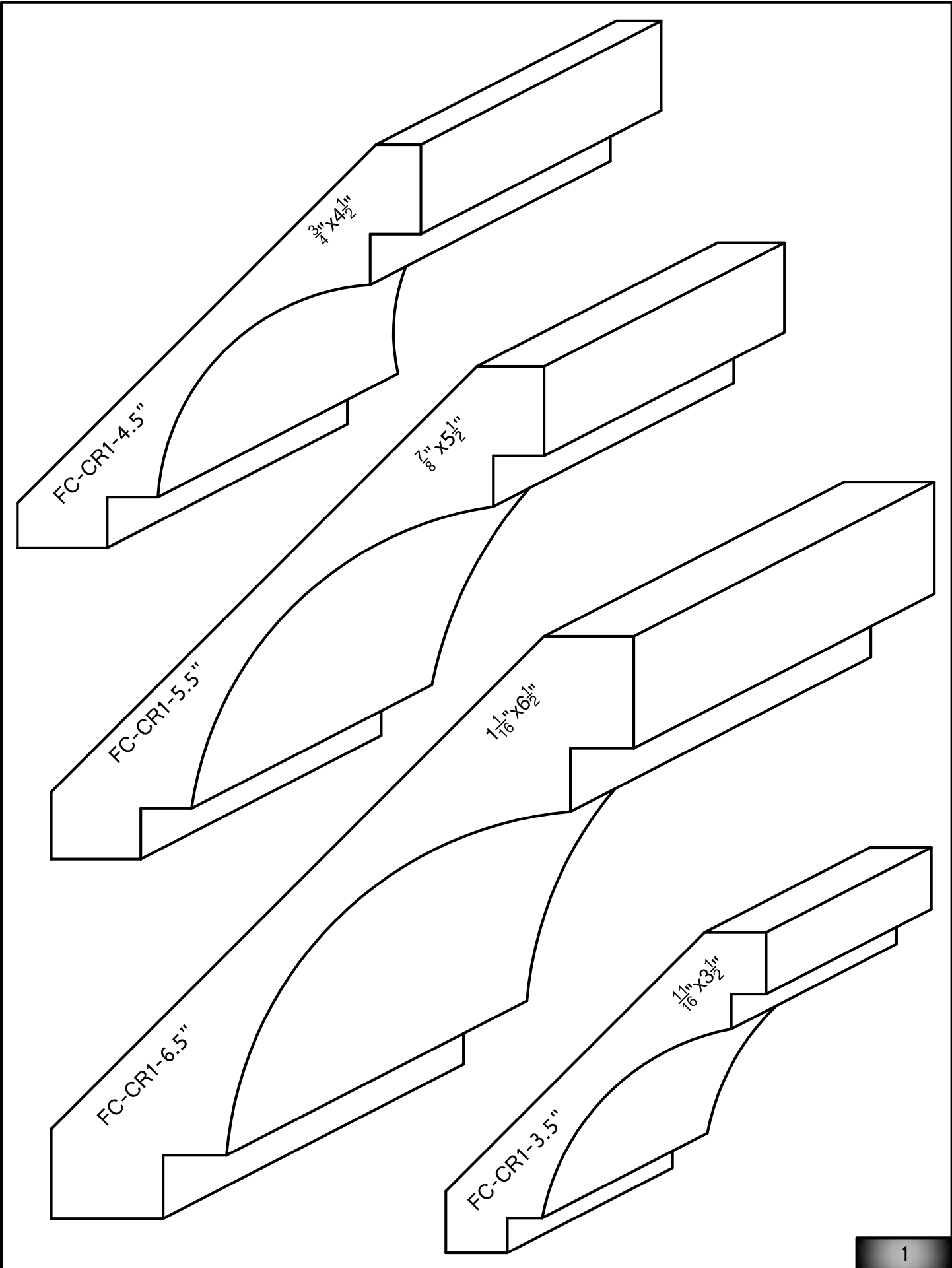
We are always updating our website with new profiles

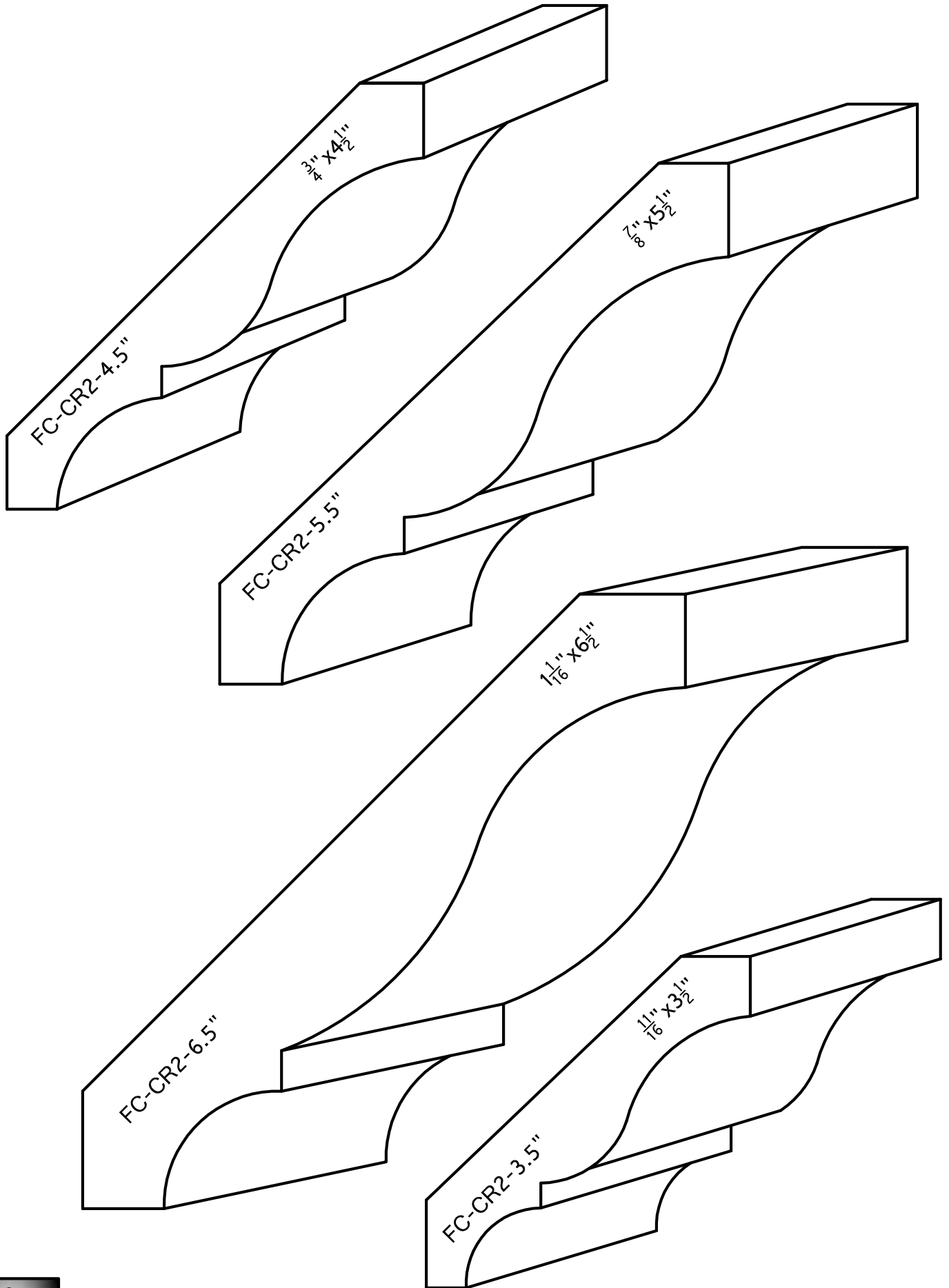
[www.firstcutcustomwoodworks.com](http://www.firstcutcustomwoodworks.com)

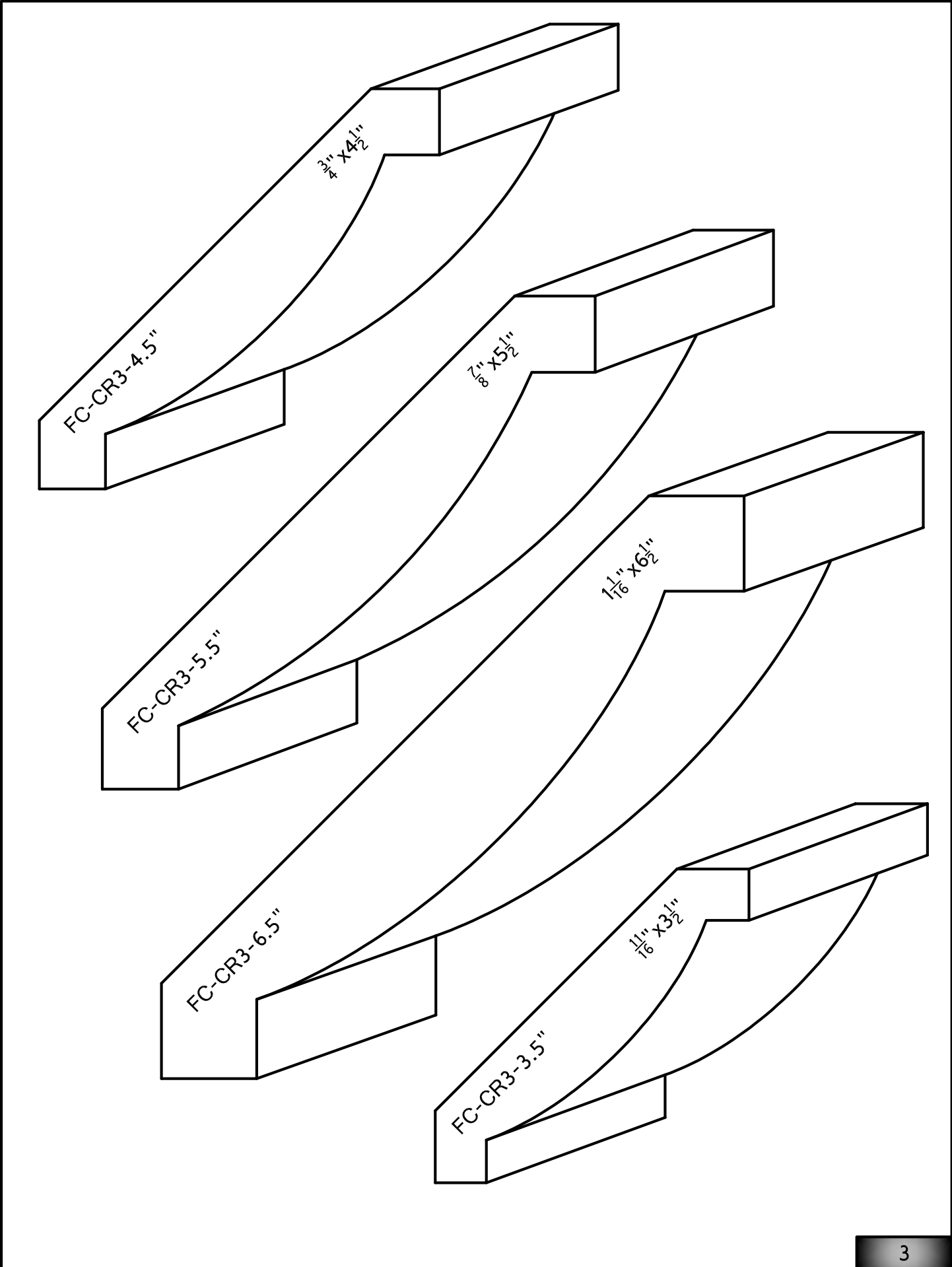
19c Industry Street, Poughkeepsie, NY 12603

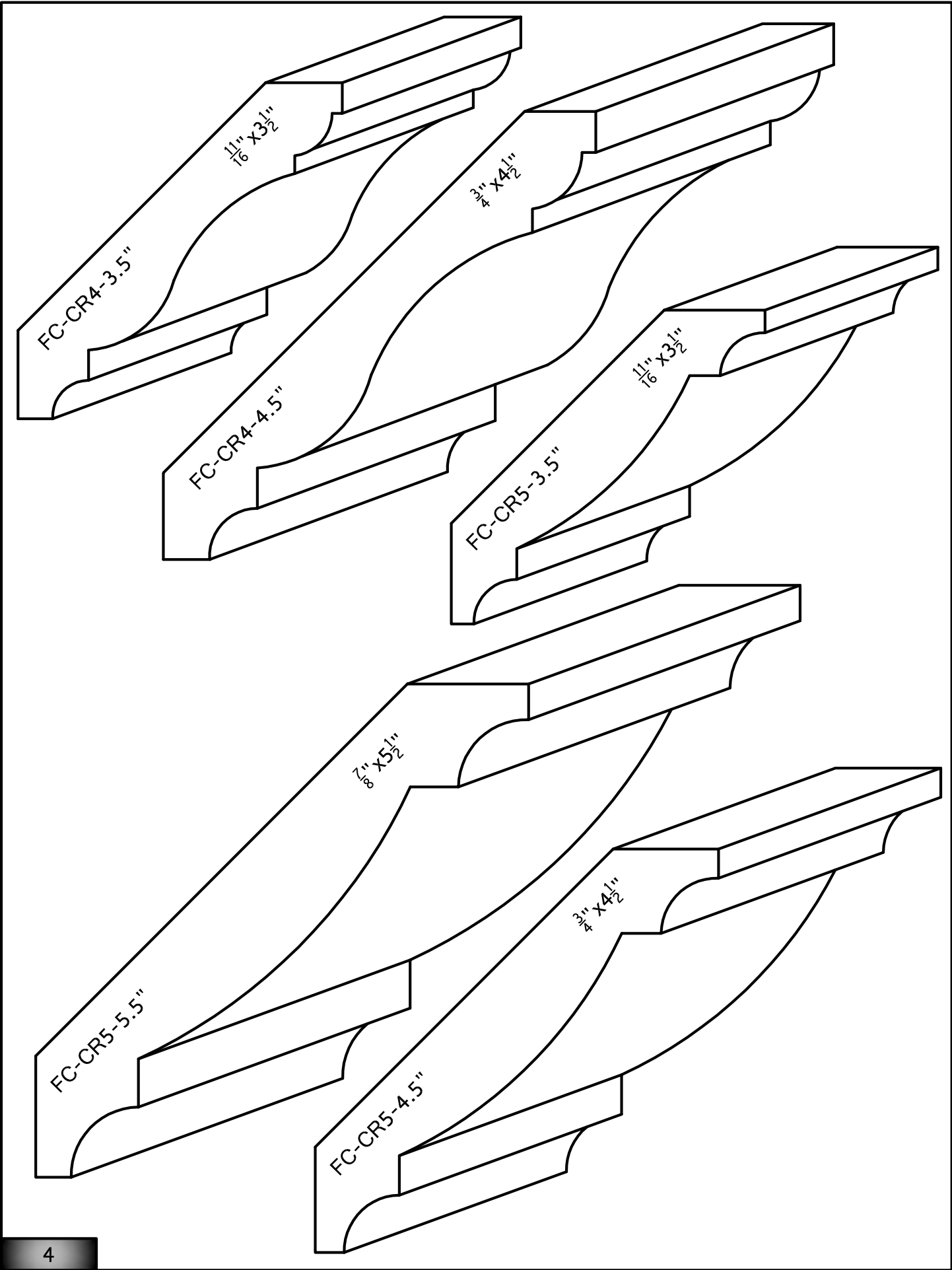
P (845) 485-4105

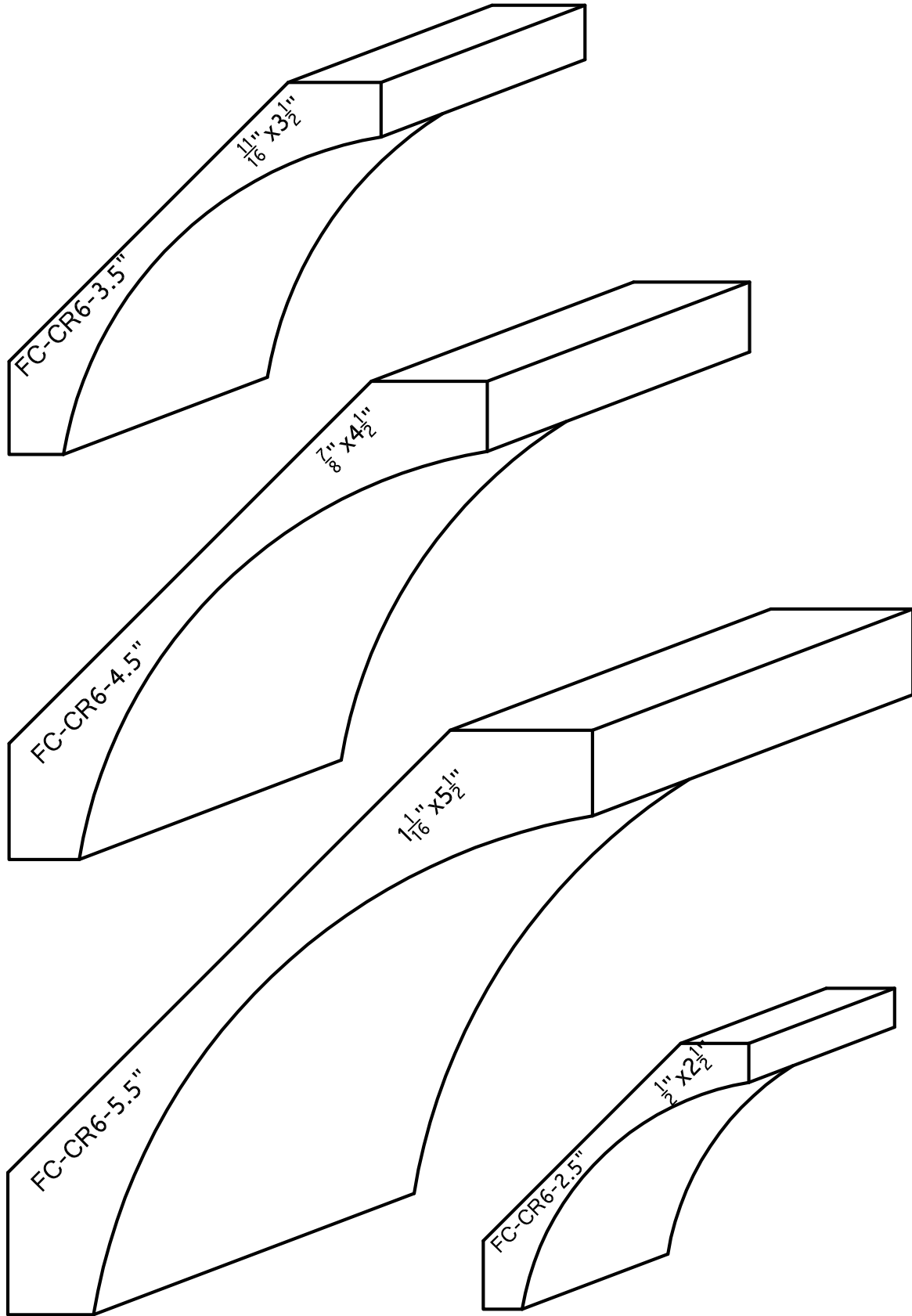
F (845) 485-4106

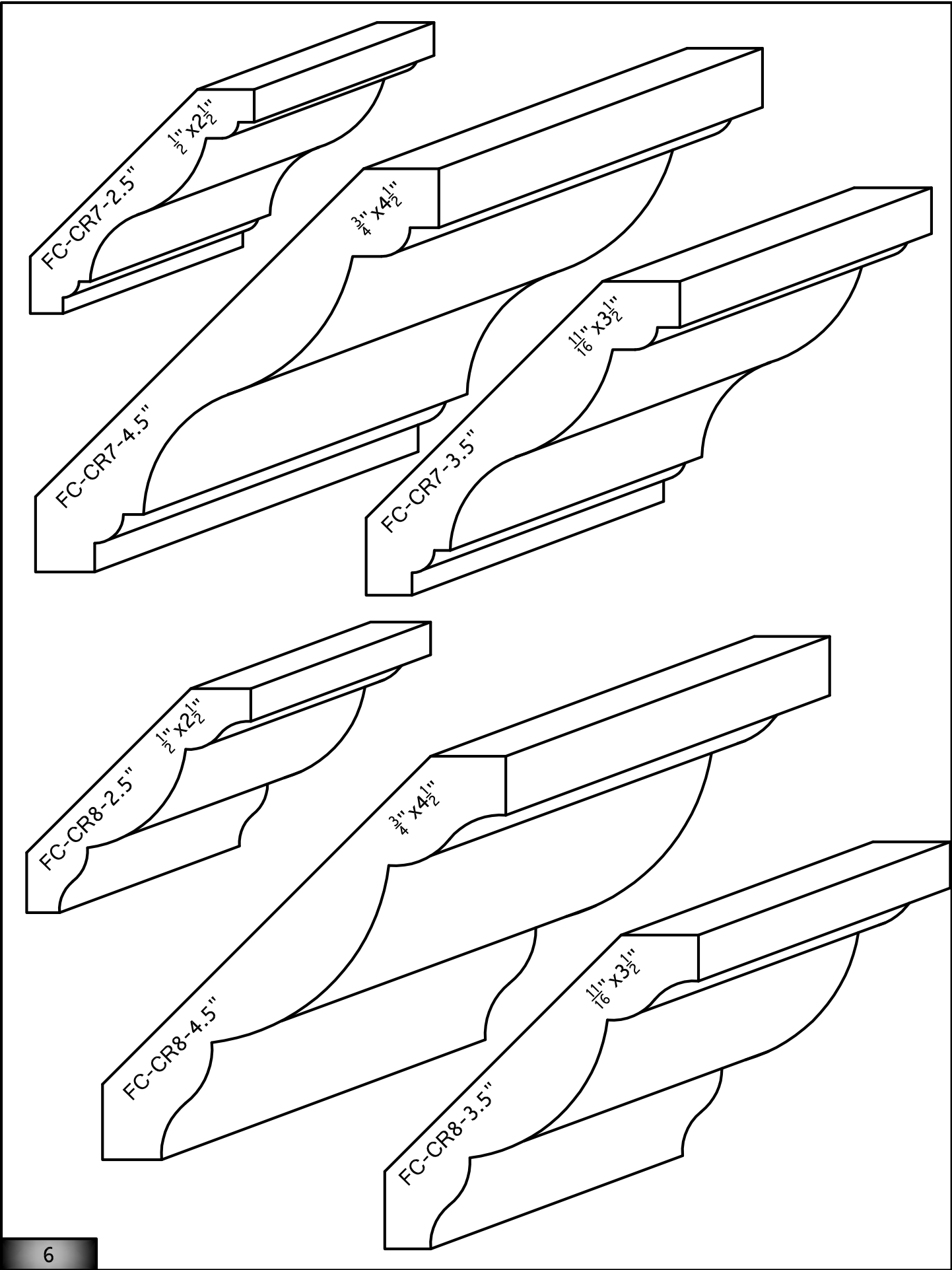


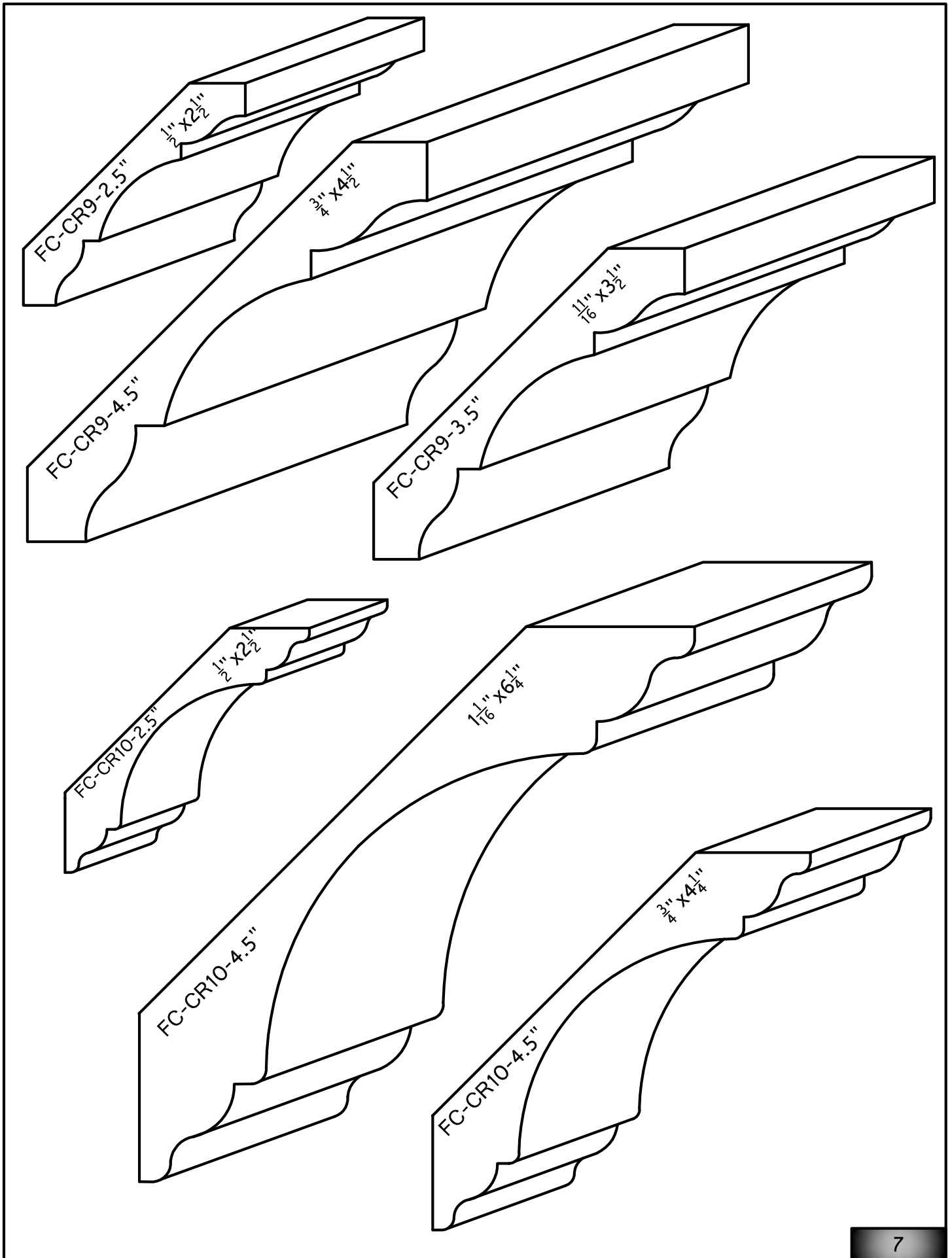


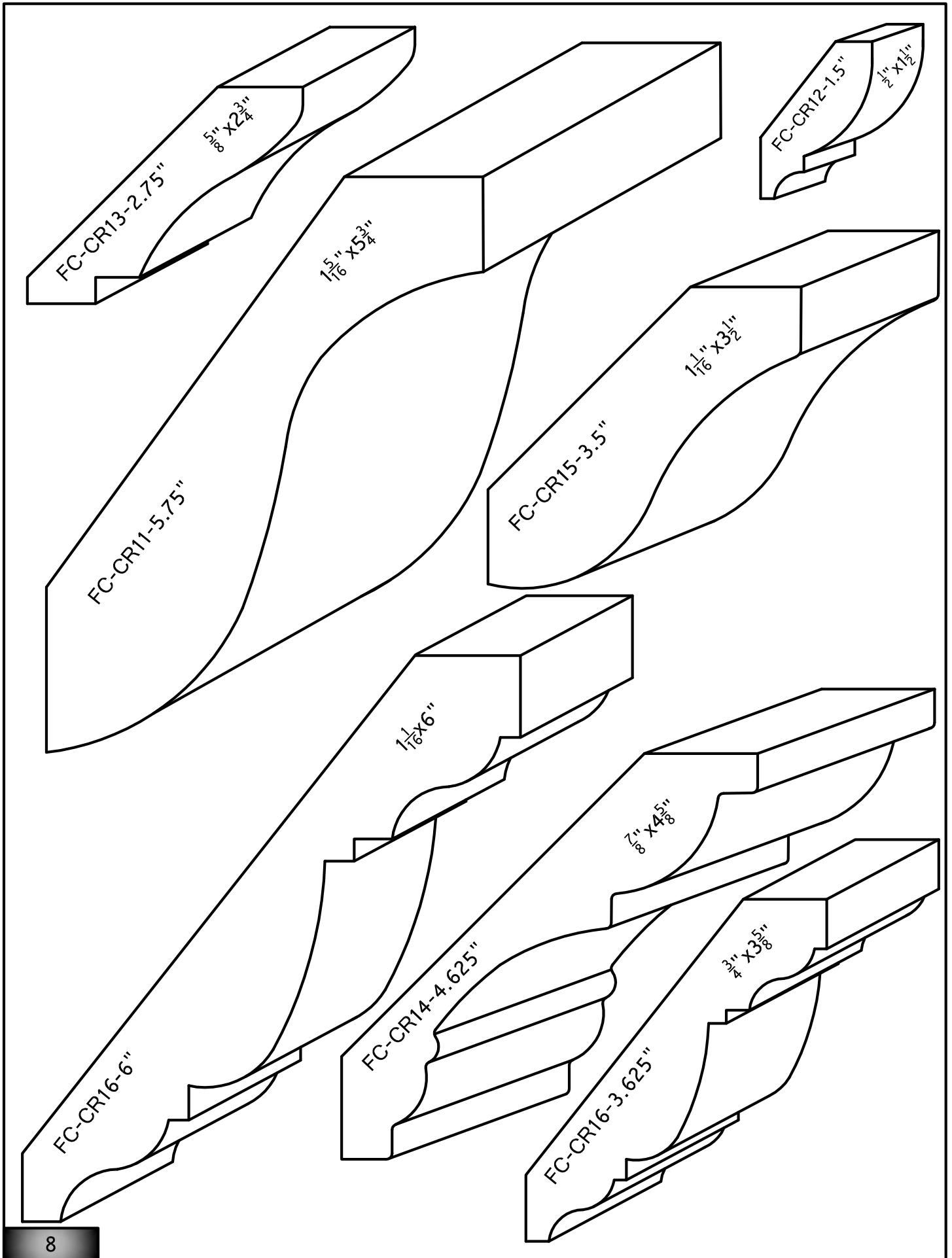


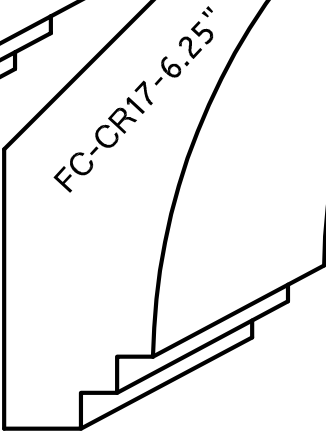
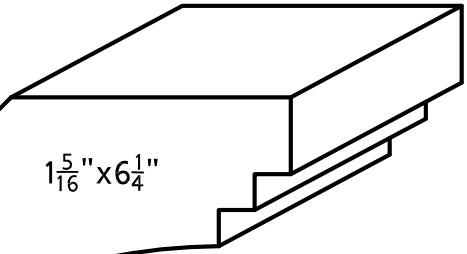
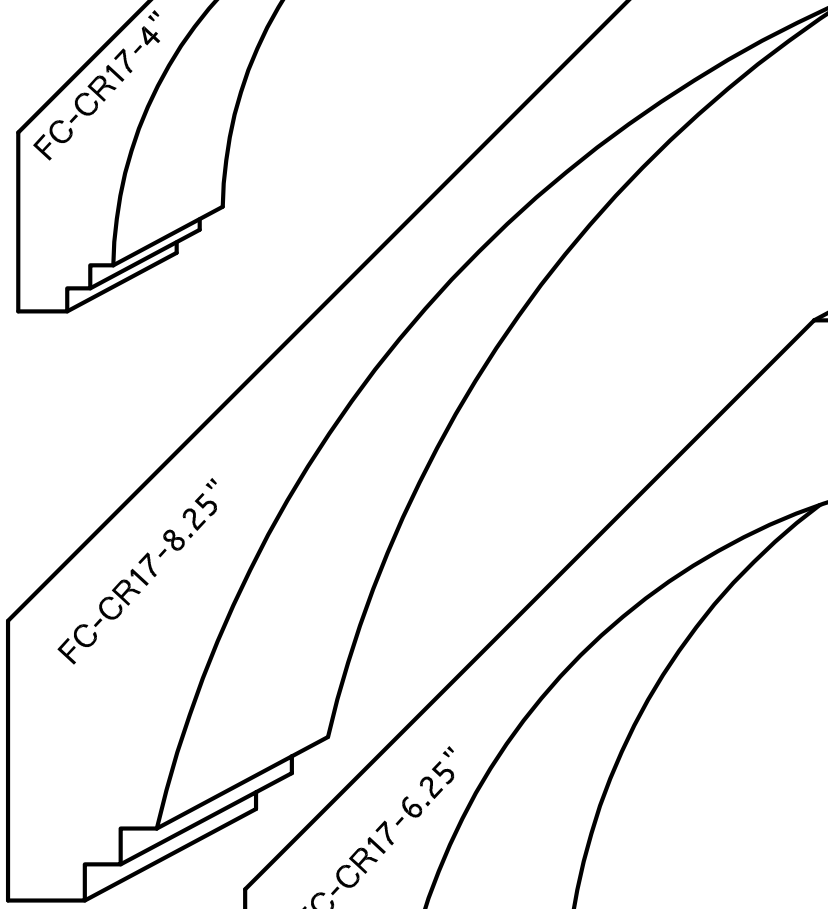
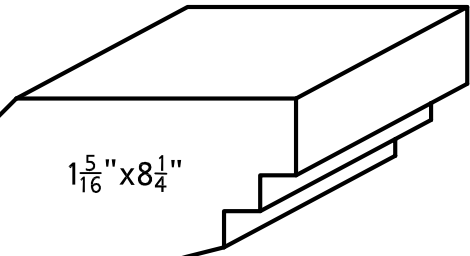
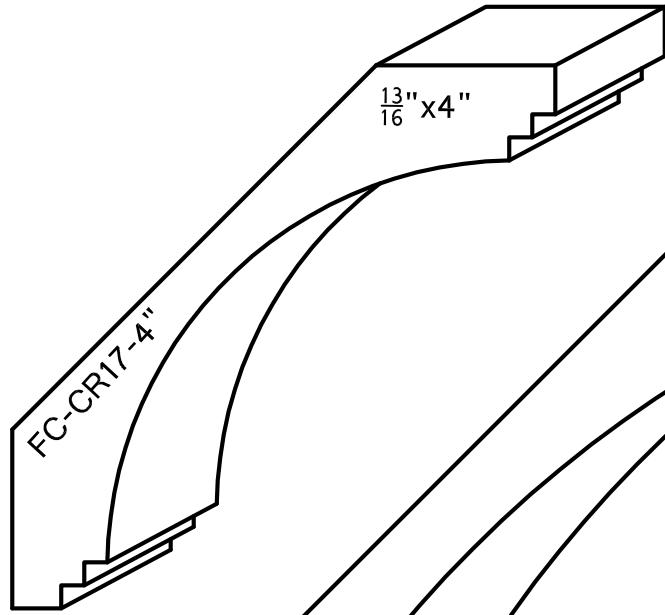










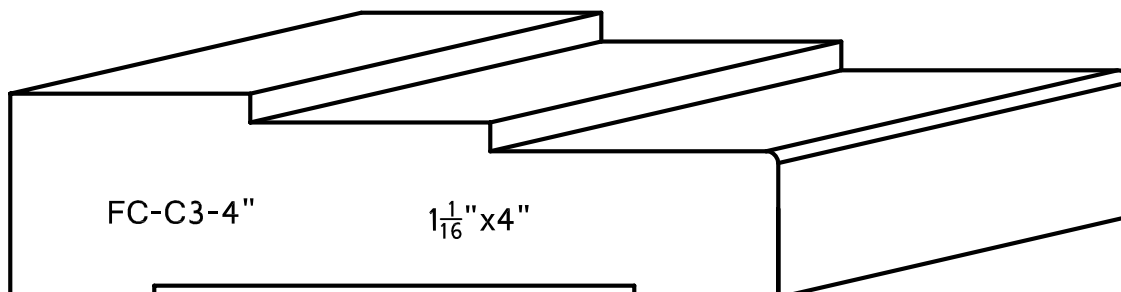
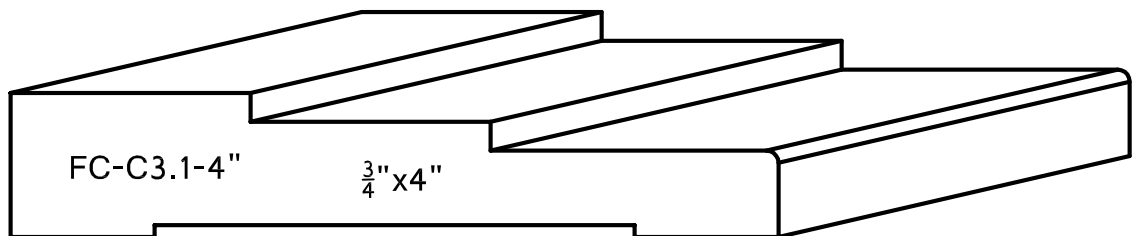
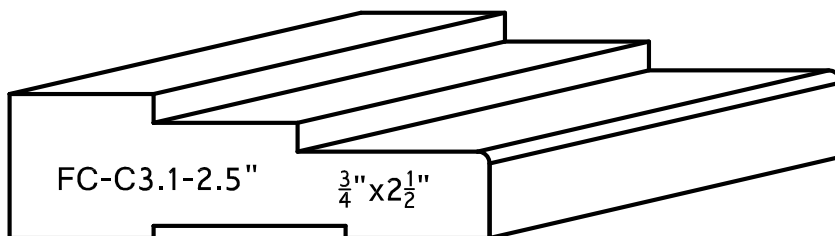
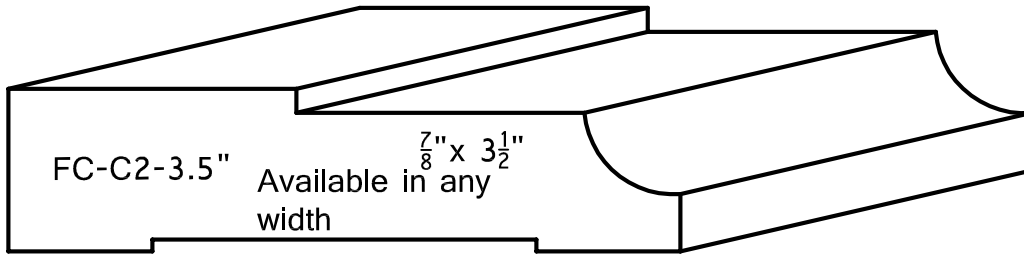
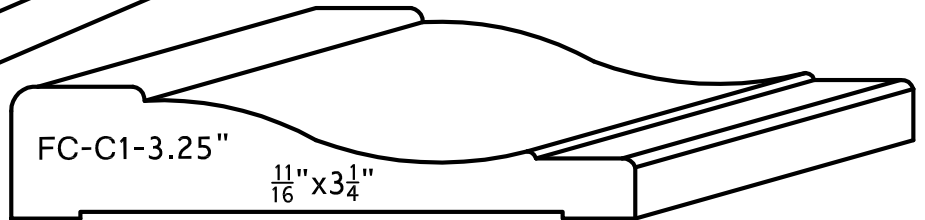
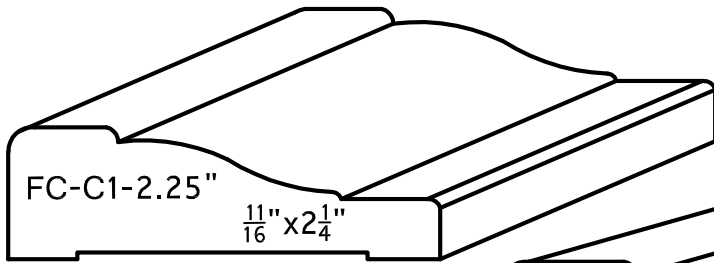


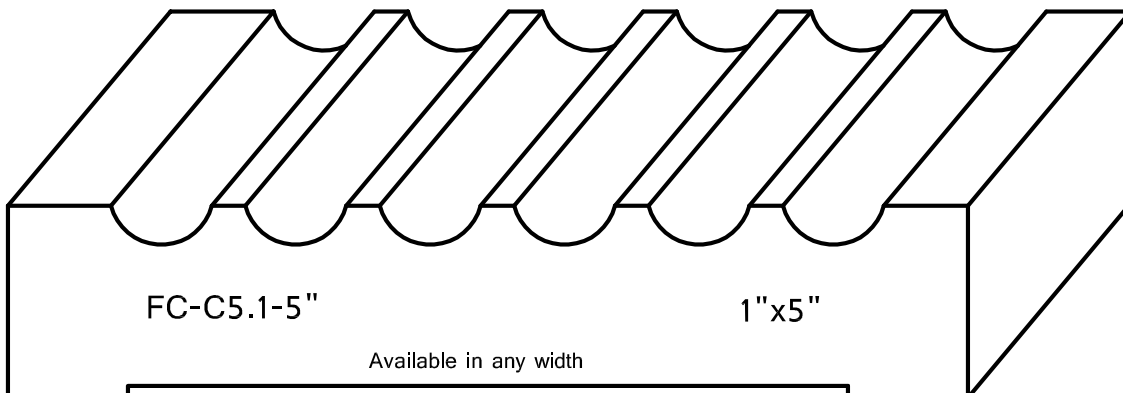
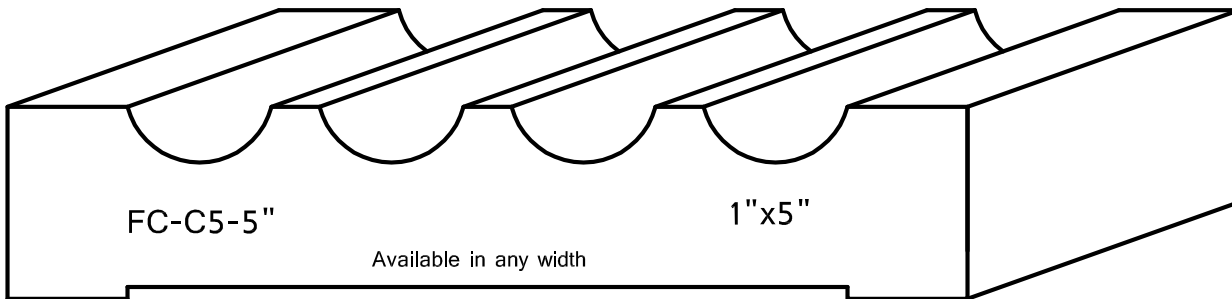
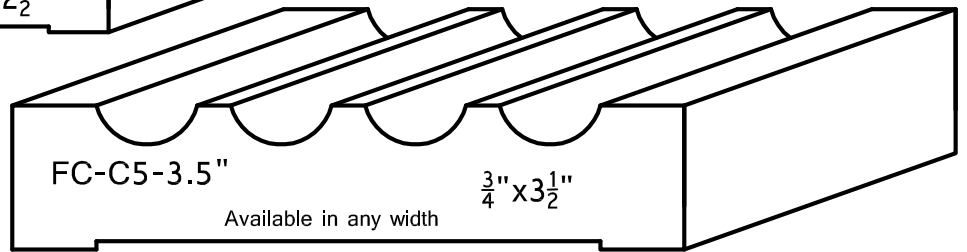
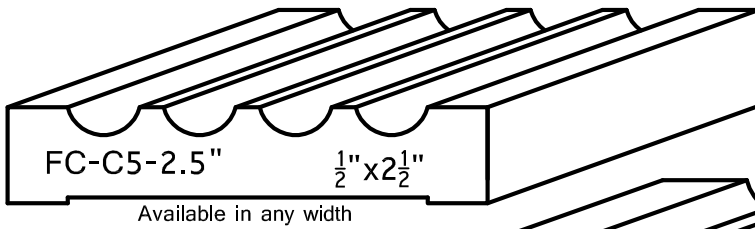
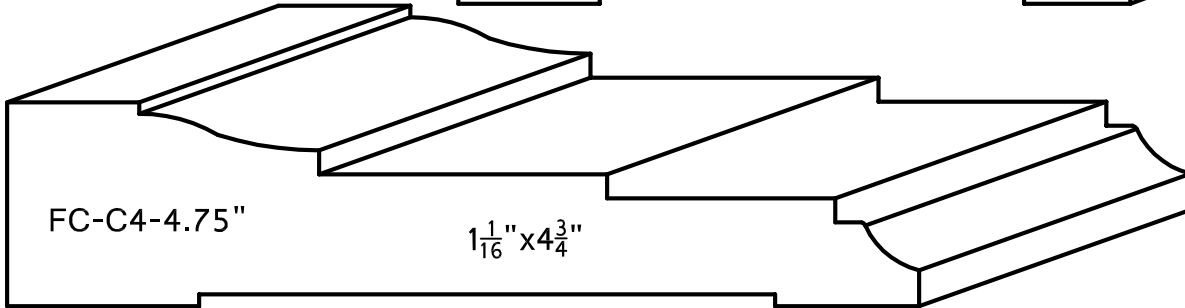
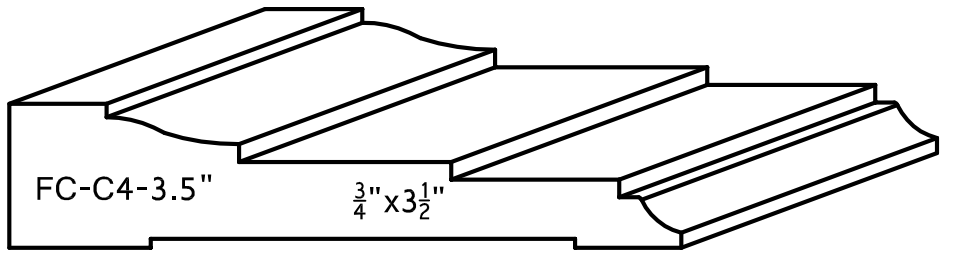
First Cut Custom Woodworks Inc. is the manufacturer of all products seen in this catalog & more.

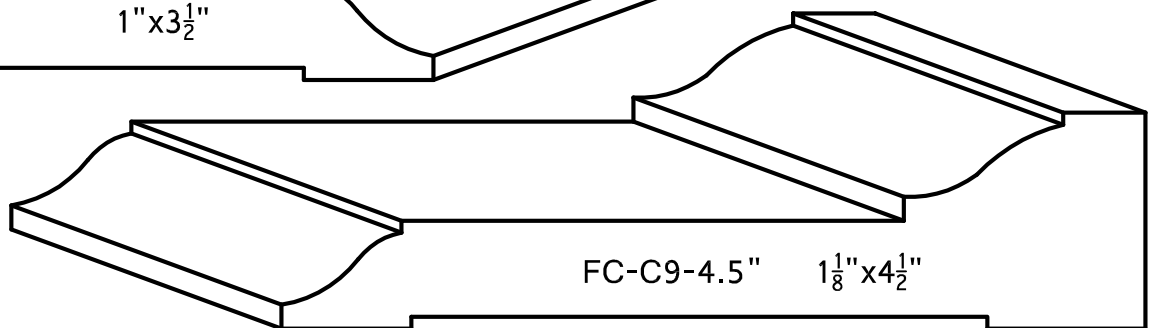
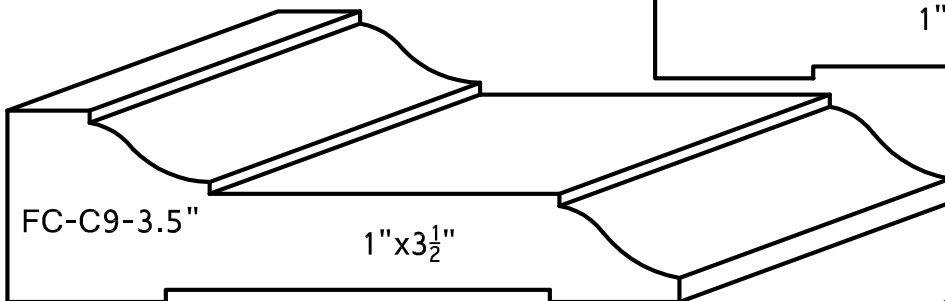
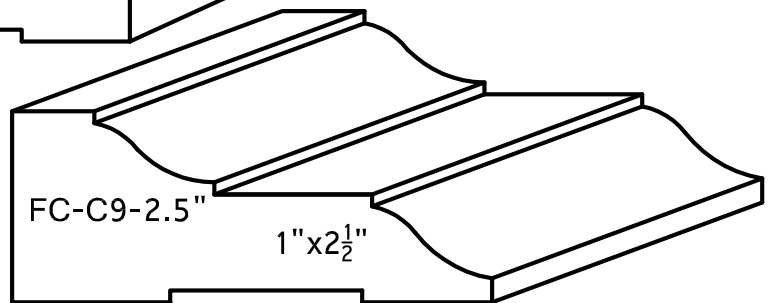
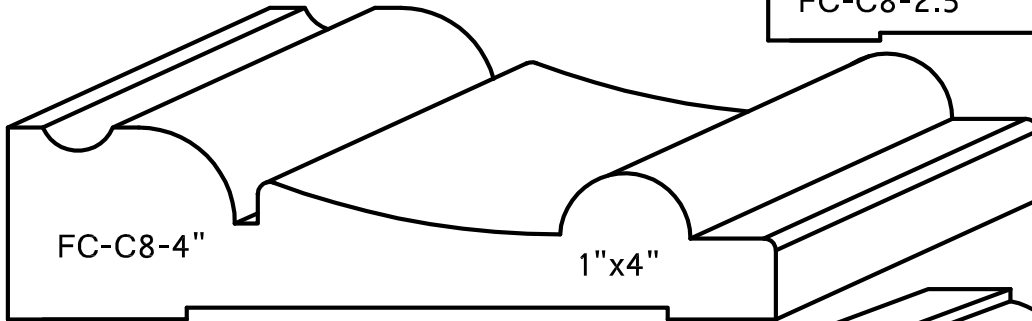
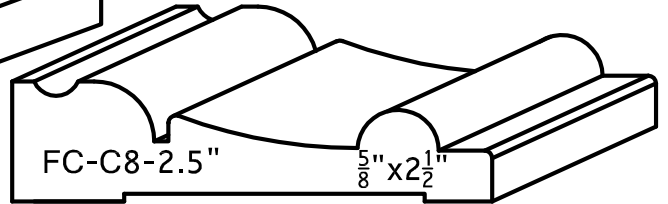
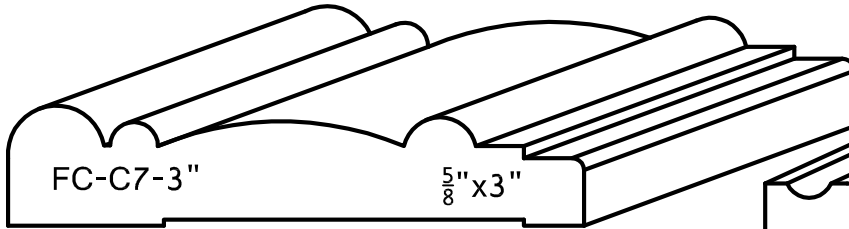
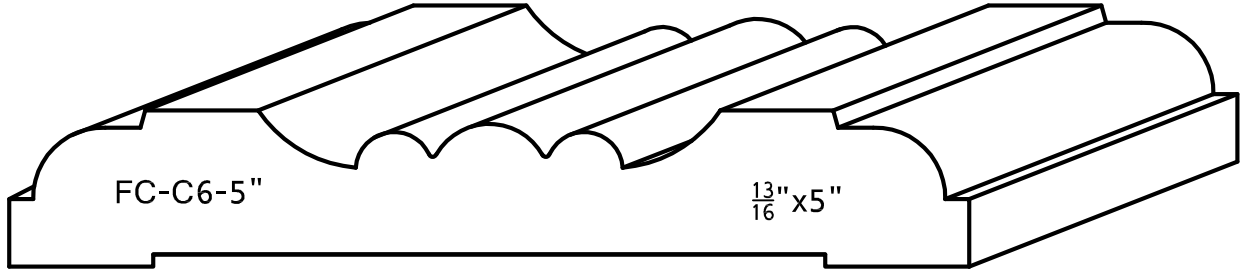
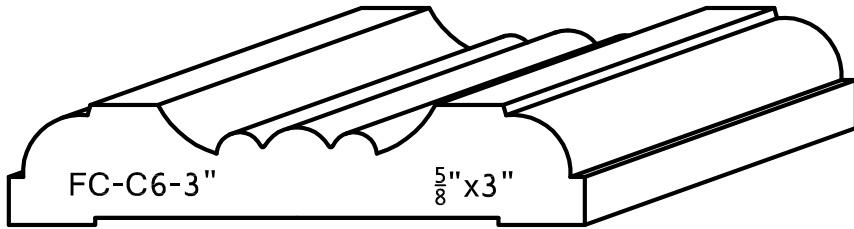
If you do not find what you are looking for we can custom produce most any shape, size or species of molding your job requires.

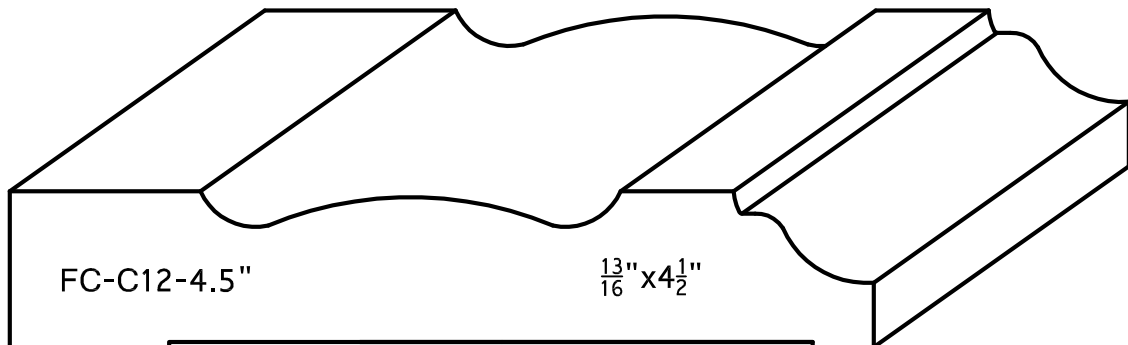
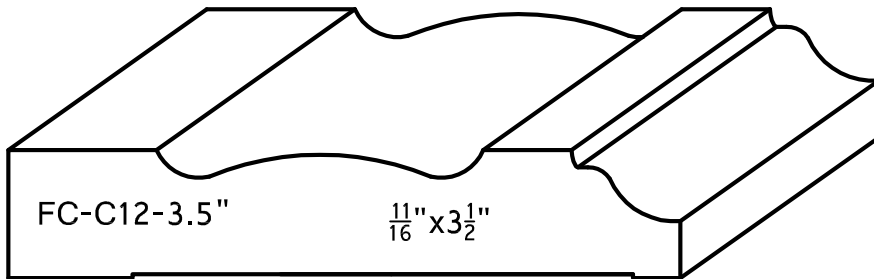
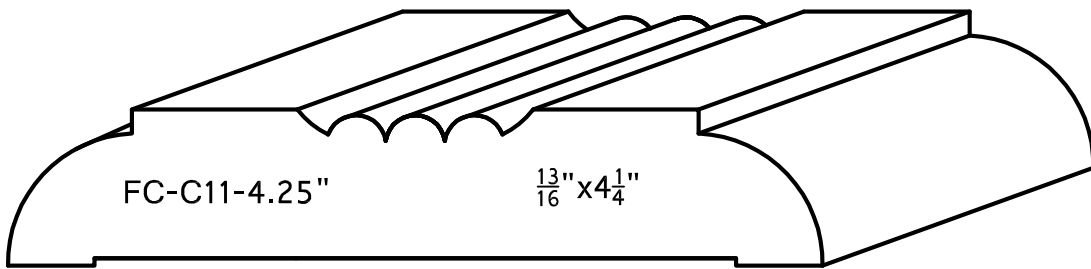
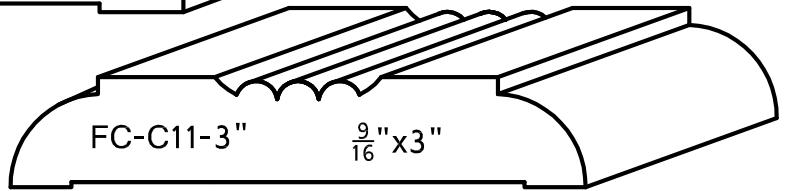
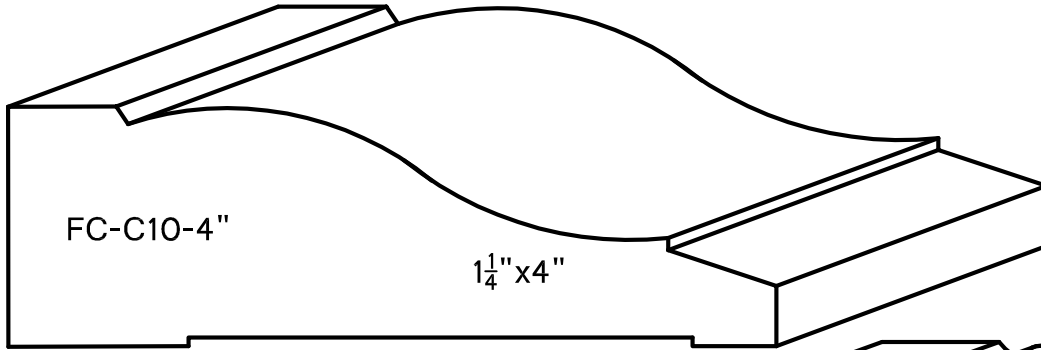
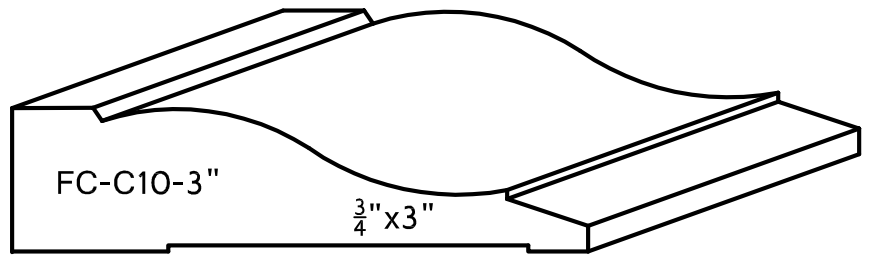
First Cut Custom Woodworks Inc. is a family business located in Poughkeepsie NY since 2003.

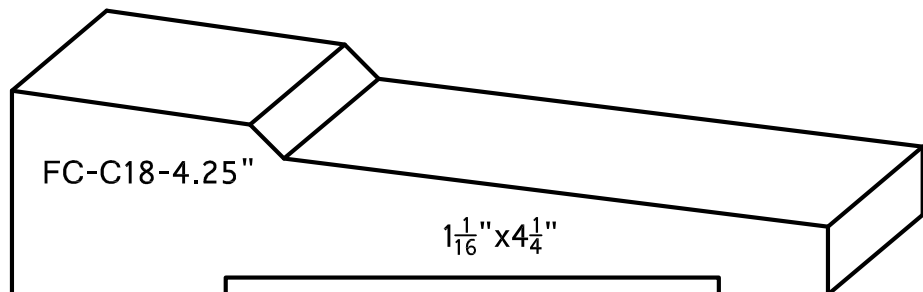
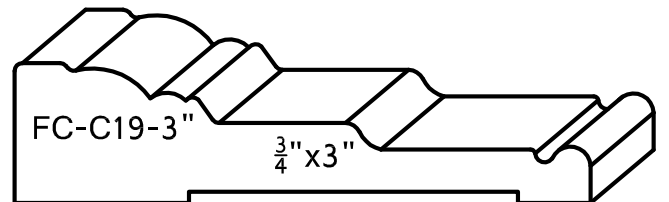
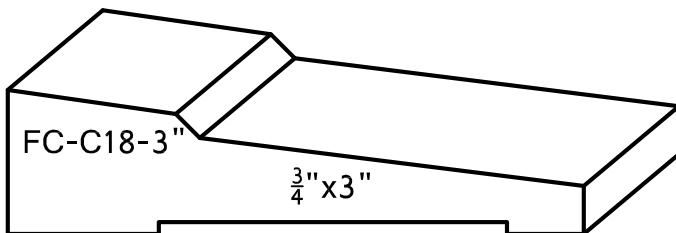
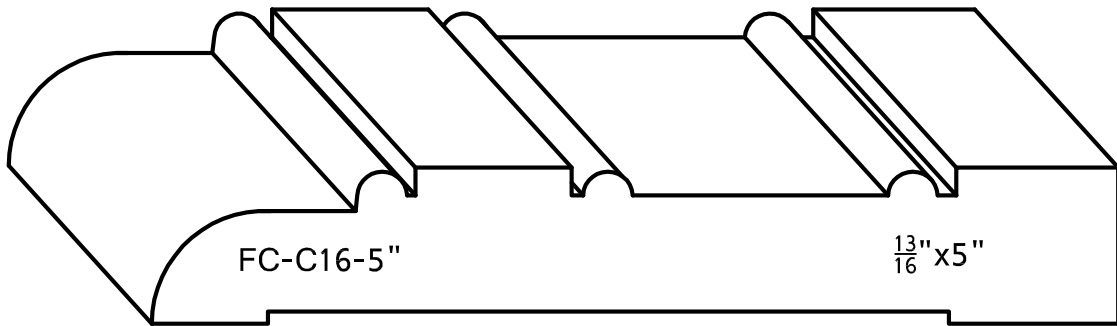
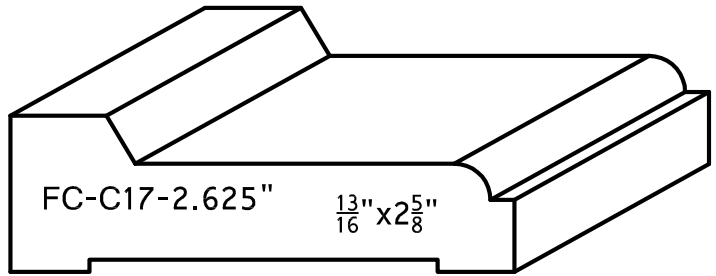
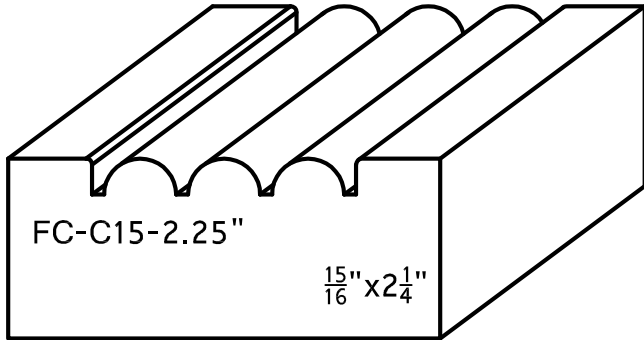
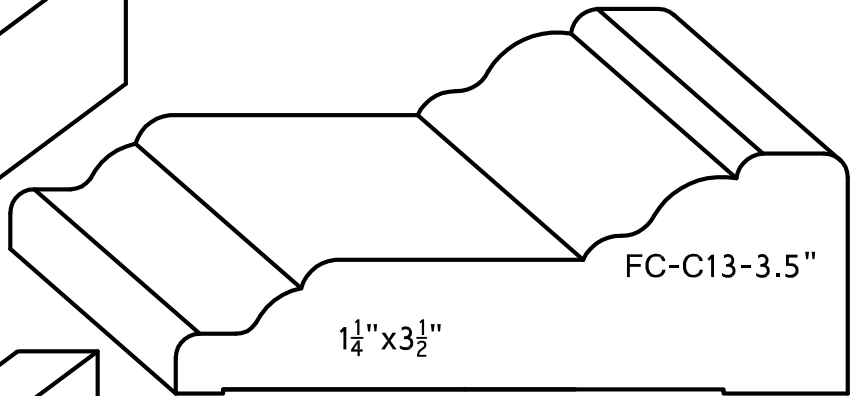
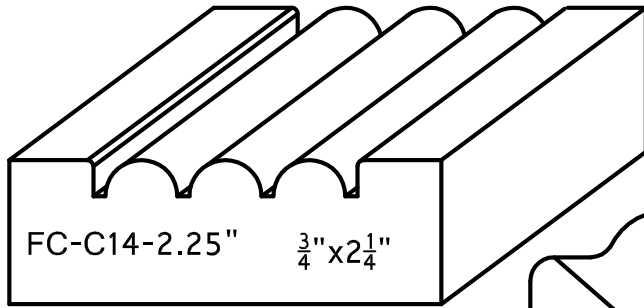
We strive to make quality products in a timely fashion at a competitive price. We also pride ourselves in our attention to our clients requests and offer customer service that cannot be beat. *(John Barber/Owner)*

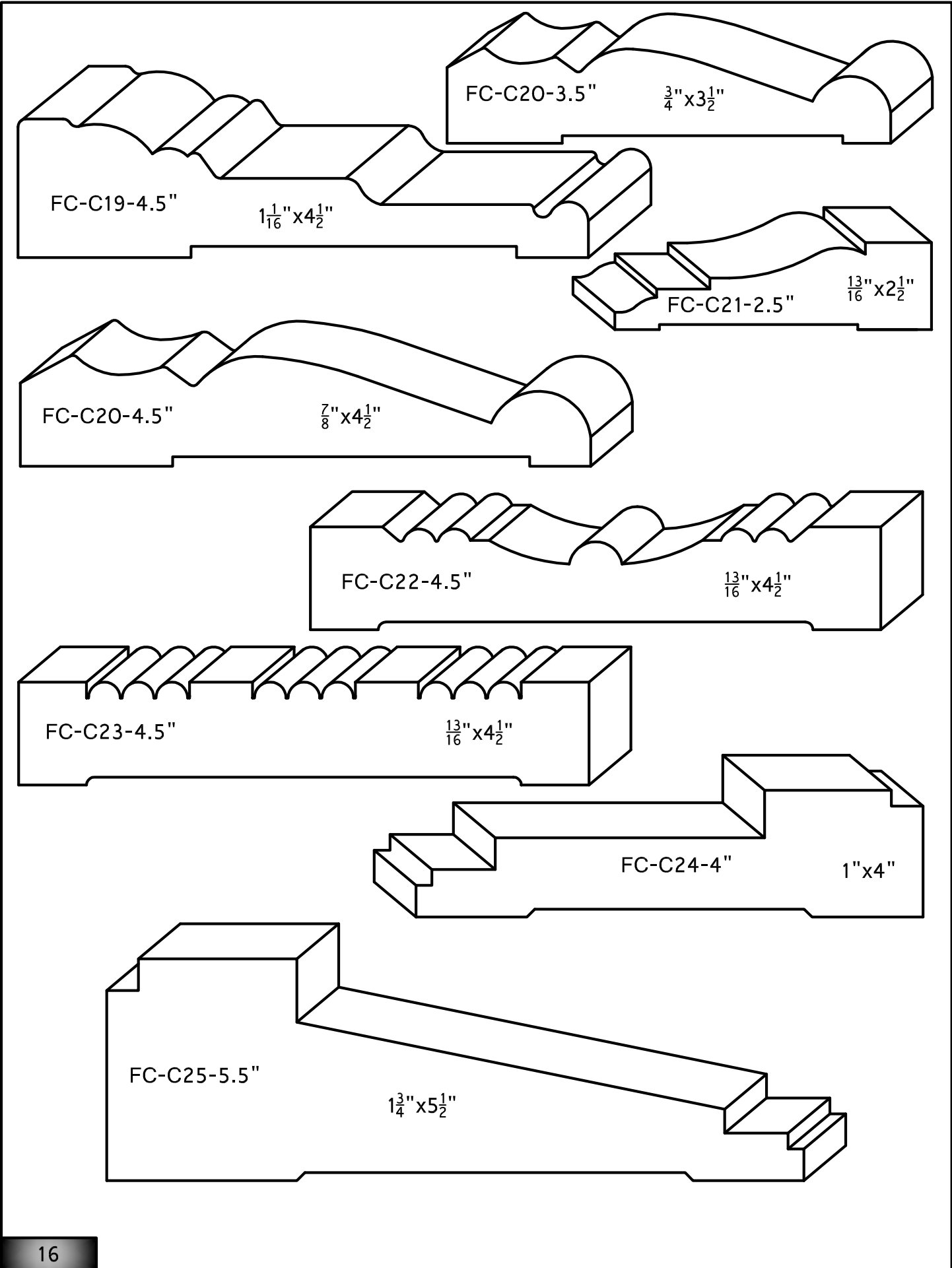


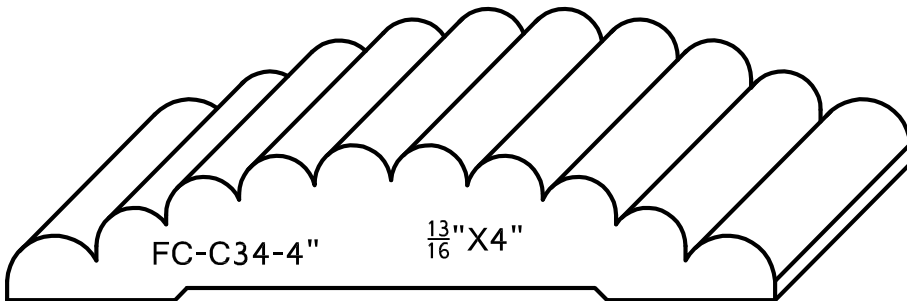
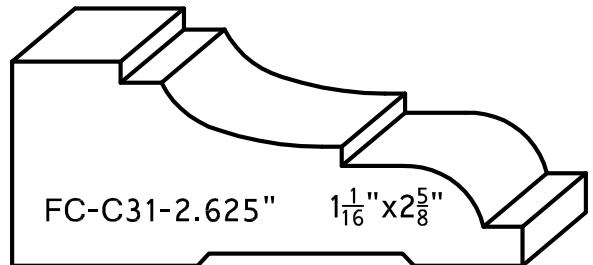
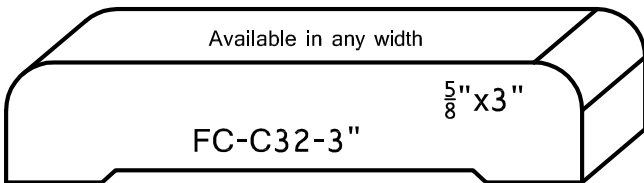
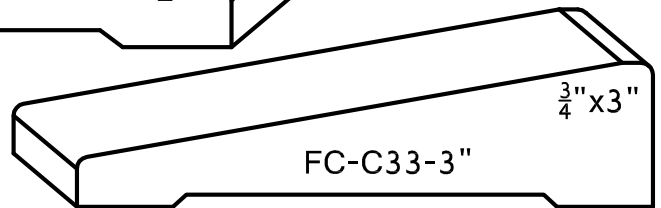
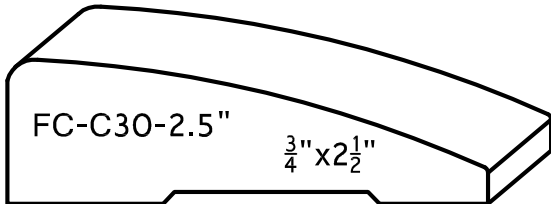
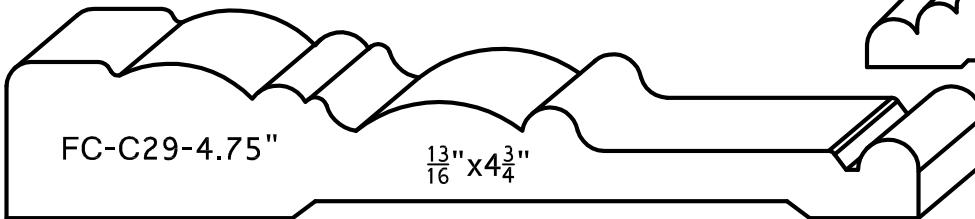
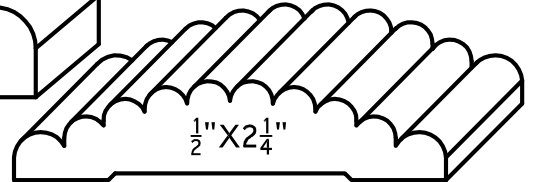
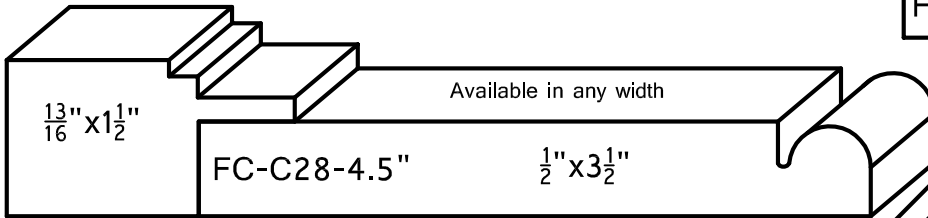
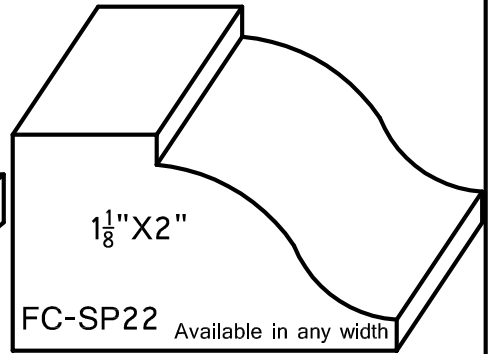
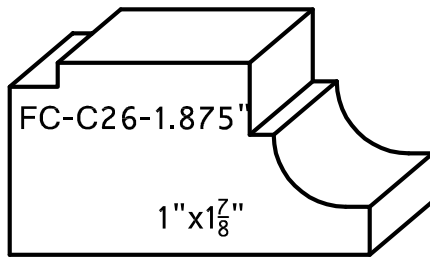
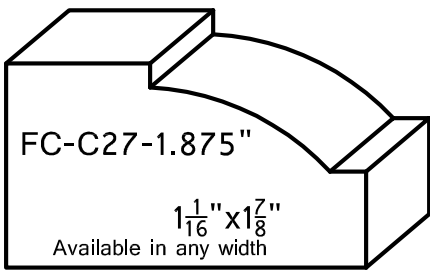












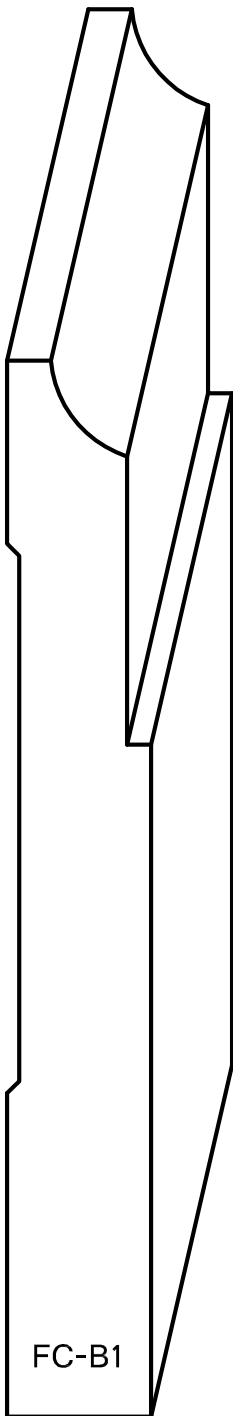
First Cut Custom Woodworks Inc. is the manufacturer of all products seen in this catalog & more.

If you do not find what you are looking for we can custom produce most any shape, size or species of molding your job requires.

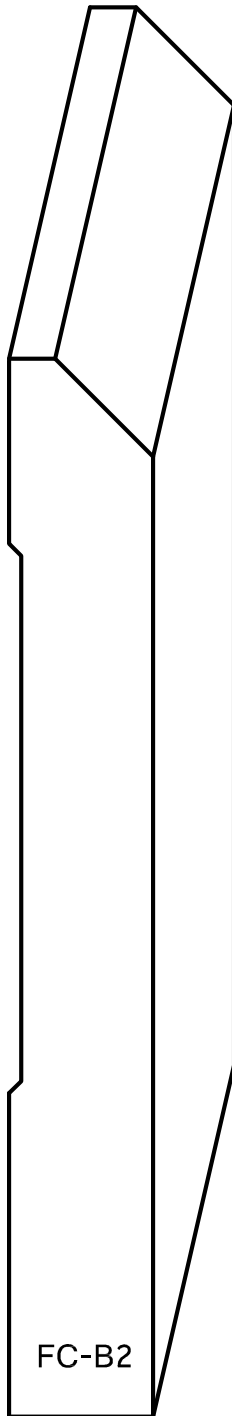
First Cut Custom Woodworks Inc. is a family business located in Poughkeepsie NY since 2003.

We strive to make quality products in a timely fashion at a competitive price. We also pride ourselves in our attention to our clients requests and offer customer service that cannot be beat. *(John Barber/Owner)*

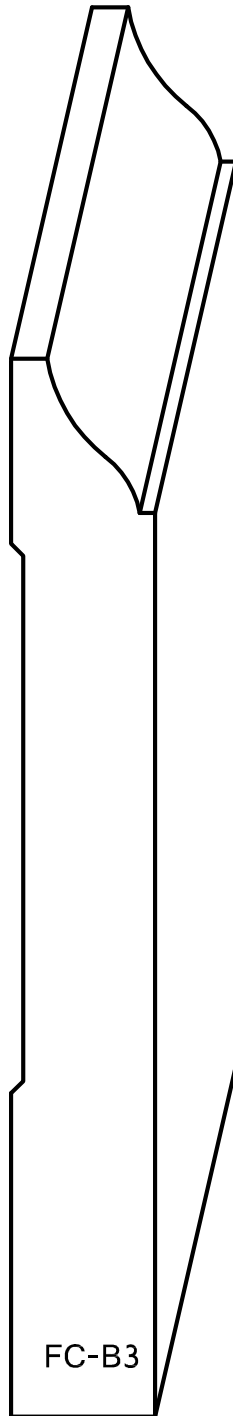
All profiles shown  $\frac{3}{4}$ " x  $5\frac{1}{2}$ "



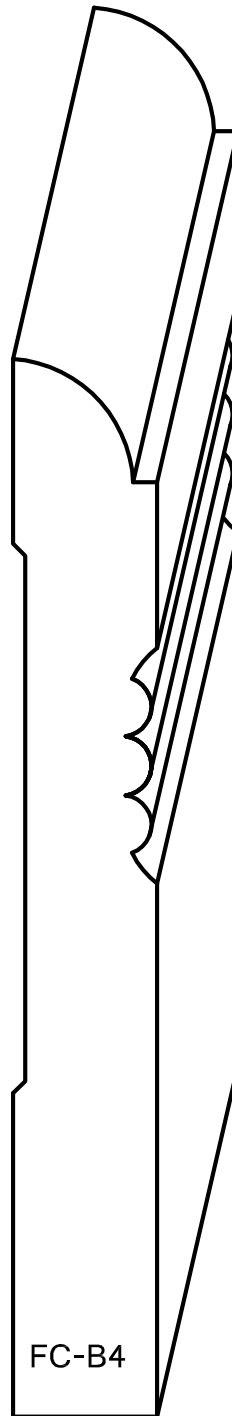
FC-B1



FC-B2



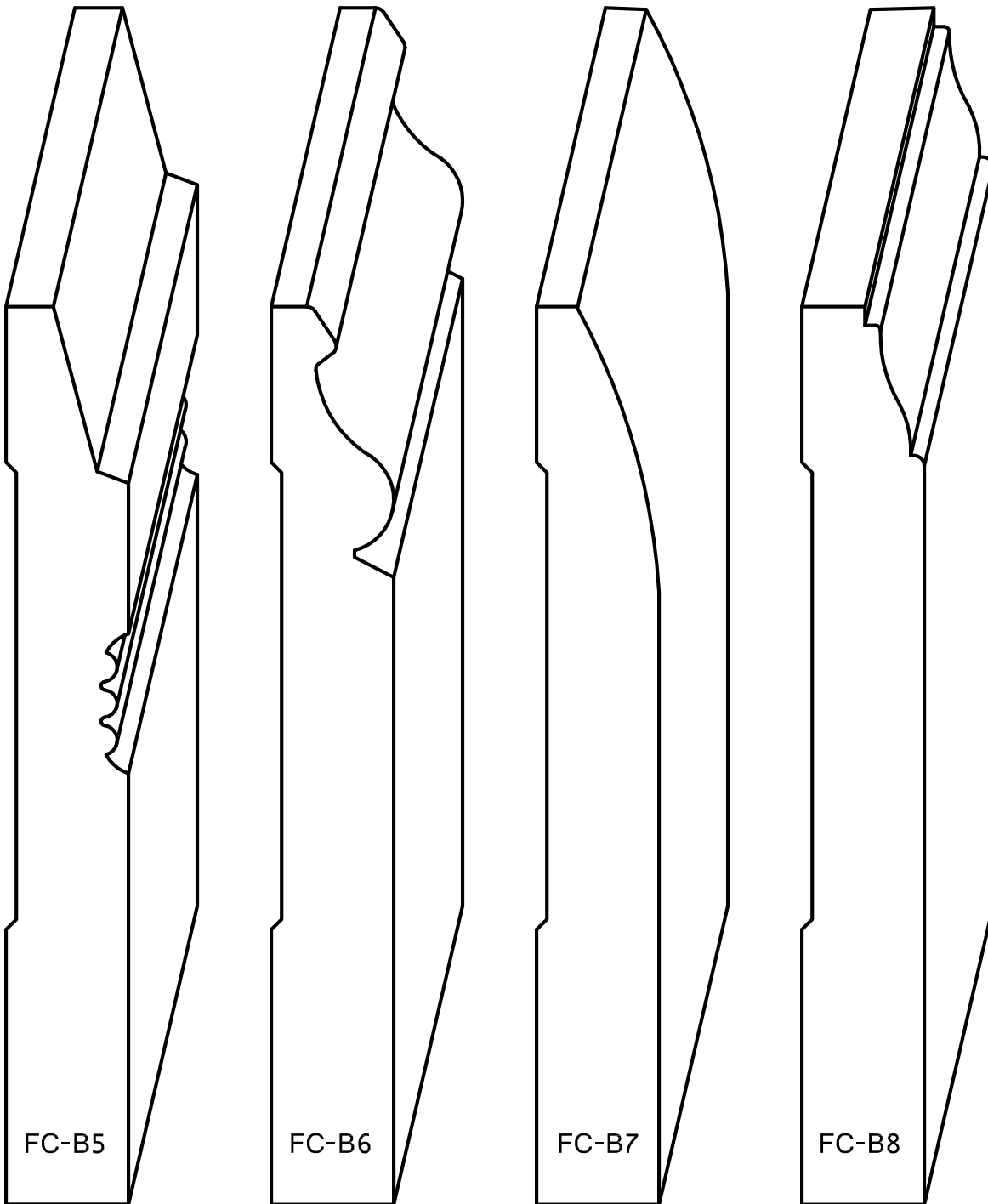
FC-B3



FC-B4

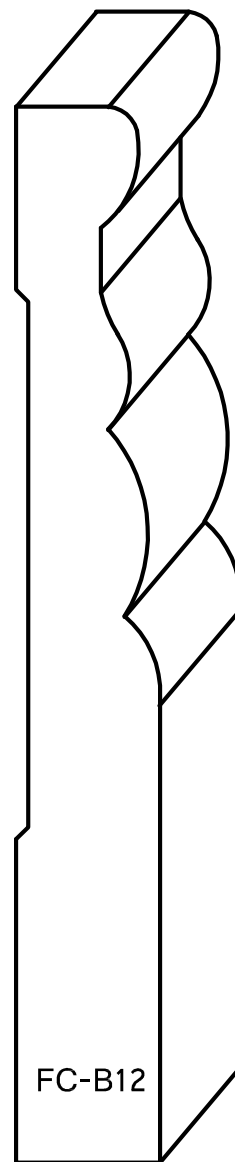
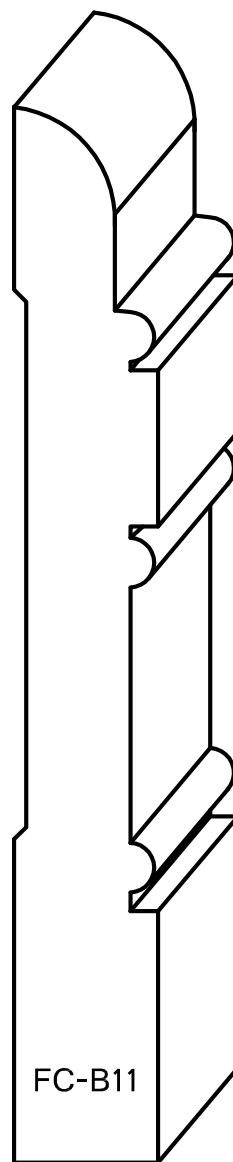
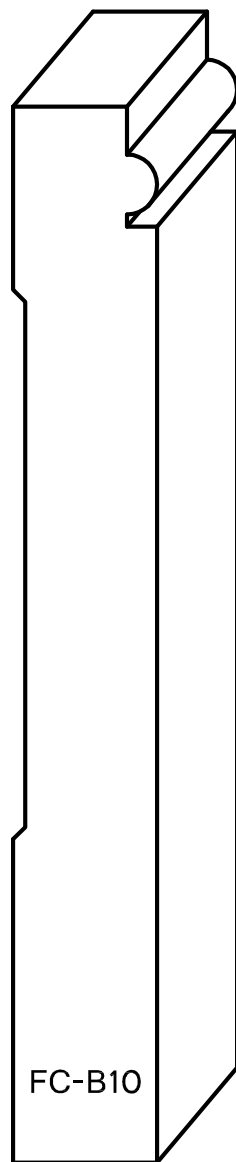
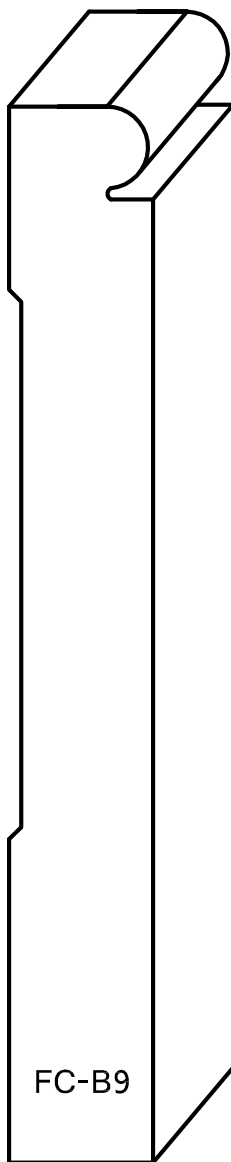
Base Moldings can be made in various thickness  
and height (up to  $8\frac{1}{2}$ " tall)

All profiles shown  $\frac{3}{4}$ " x  $5\frac{1}{2}$ "



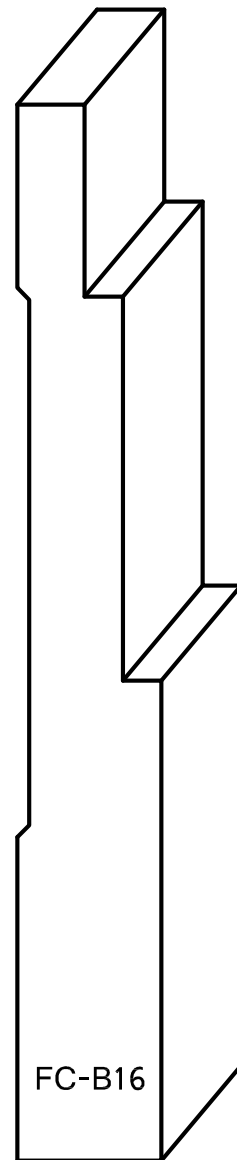
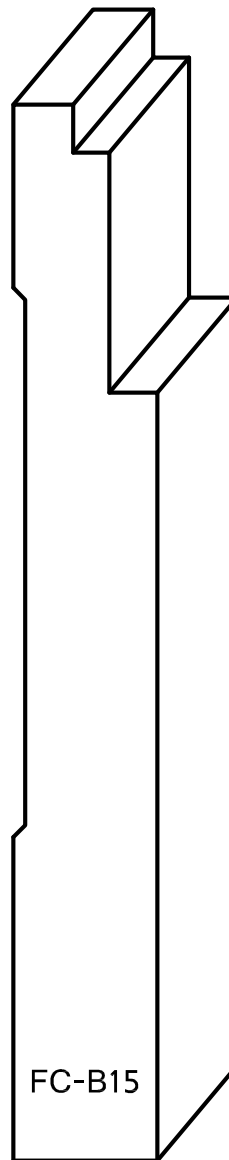
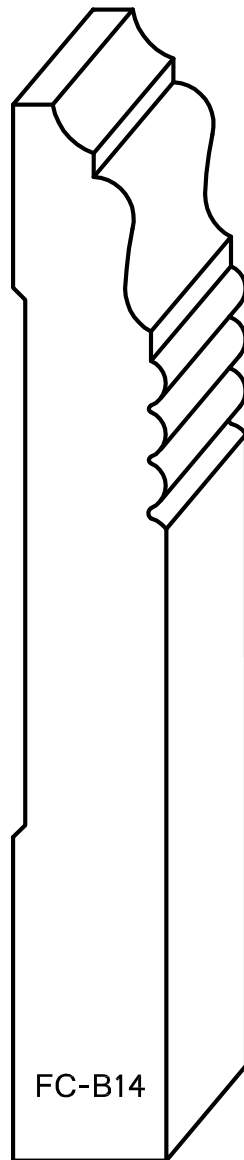
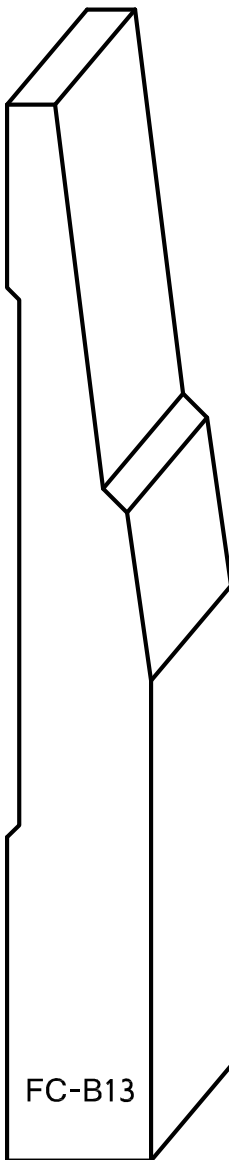
Base Moldings can be made in various thickness  
and height (up to  $8\frac{1}{2}$ " tall)

All profiles shown  $\frac{3}{4}$ " x  $5\frac{1}{2}$ "



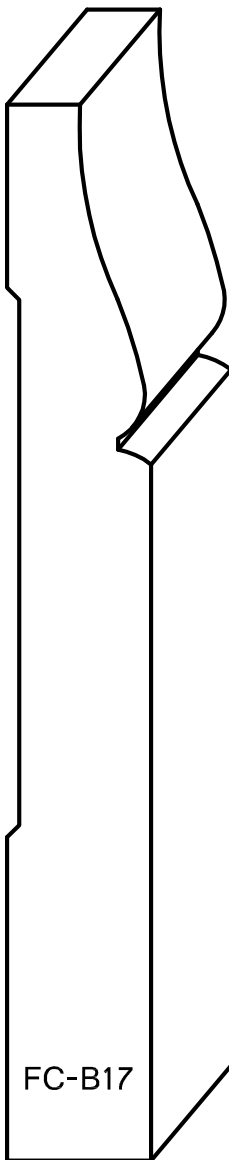
Base Moldings can be made in various thickness  
and height (up to  $8\frac{1}{2}$ " tall)

All profiles shown  $\frac{3}{4}$ " x  $5\frac{1}{2}$ "

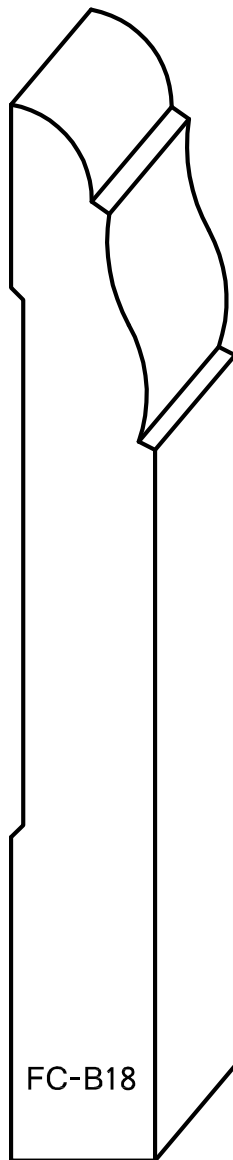


Base Moldings can be made in various thickness  
and height (up to  $8\frac{1}{2}$ " tall)

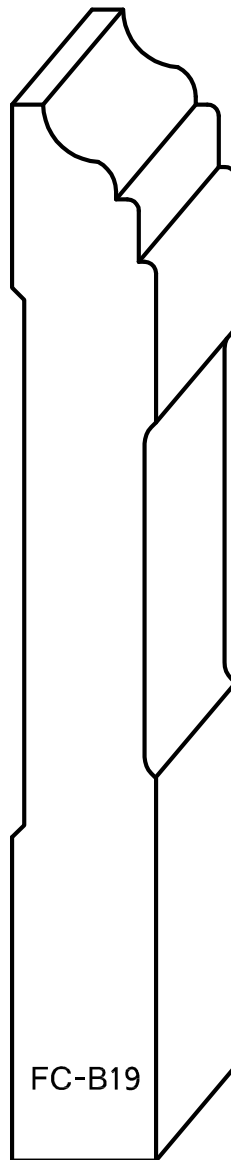
All profiles shown  $\frac{3}{4}$ " x  $5\frac{1}{2}$ "



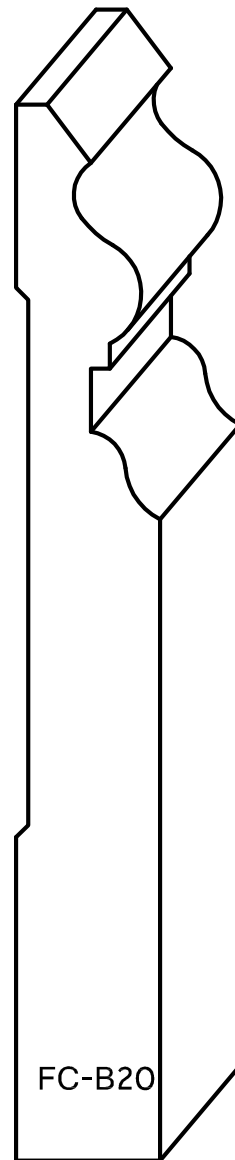
FC-B17



FC-B18



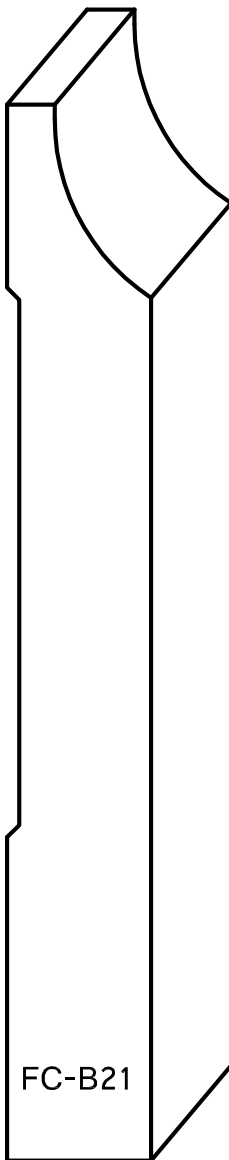
FC-B19



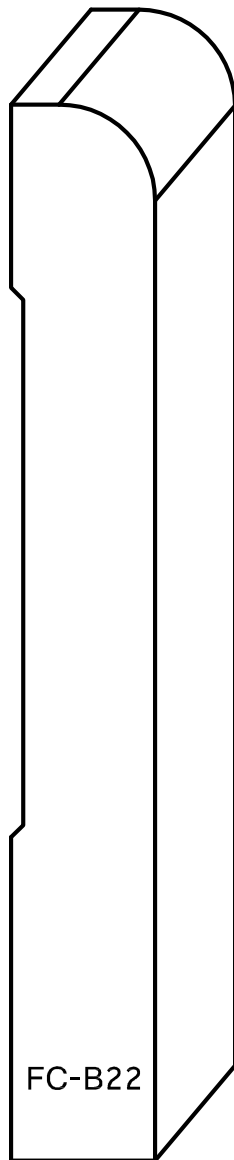
FC-B20

Base Moldings can be made in various thickness  
and height (up to  $8\frac{1}{2}$ " tall)

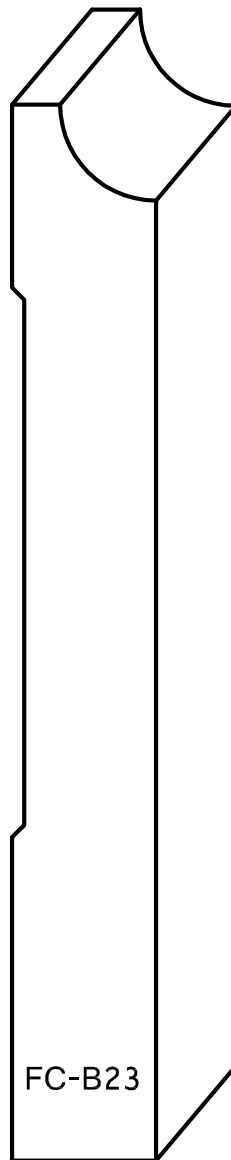
All profiles shown  $\frac{3}{4}$ " x  $5\frac{1}{2}$ "



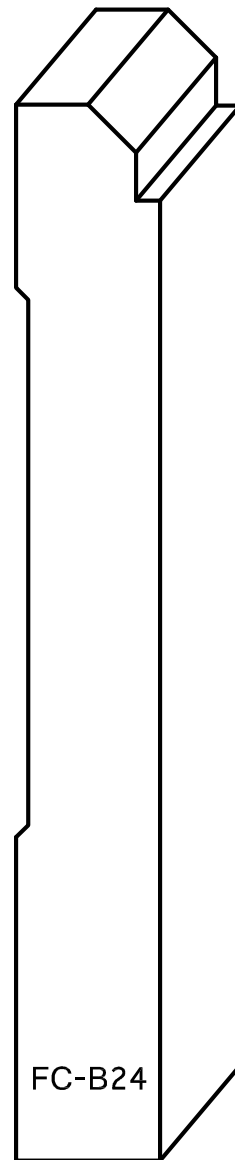
FC-B21



FC-B22

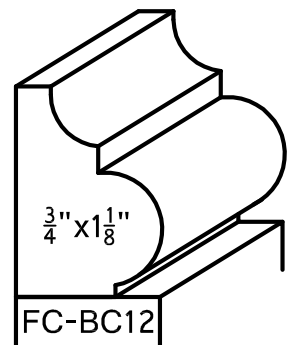
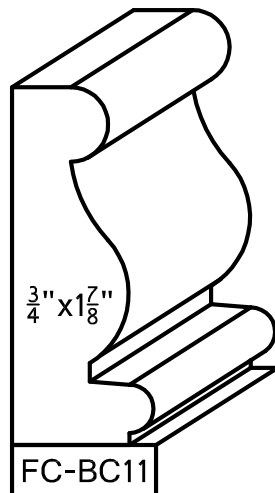
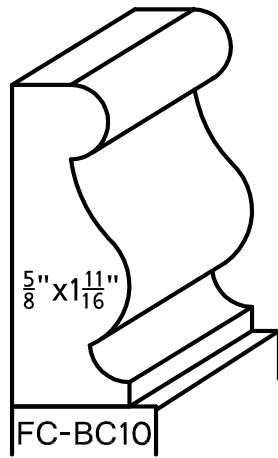
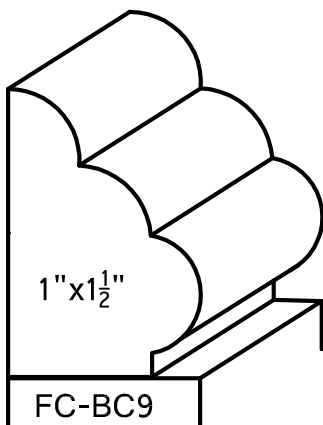
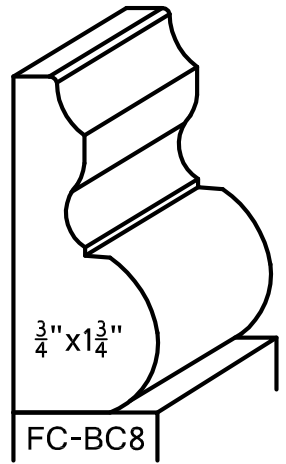
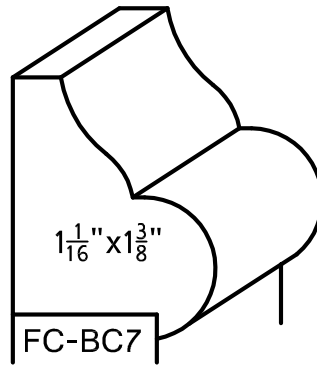
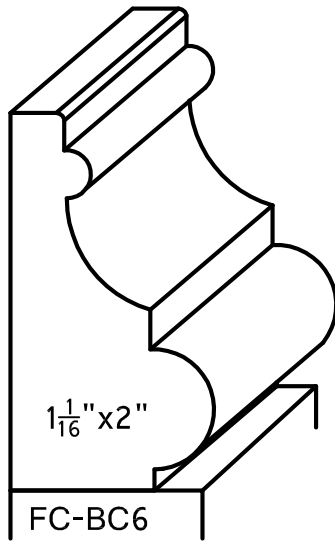
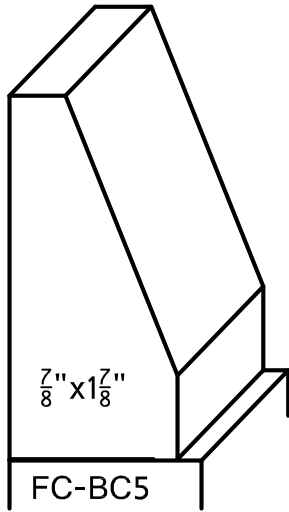
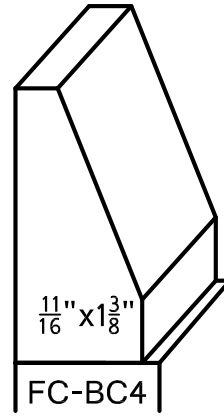
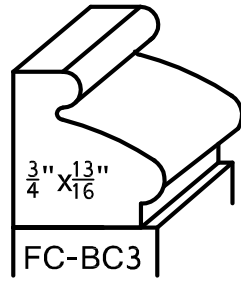
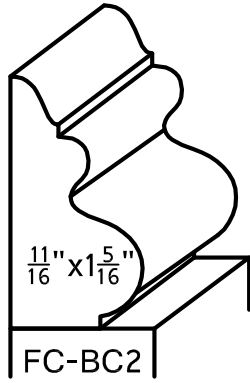
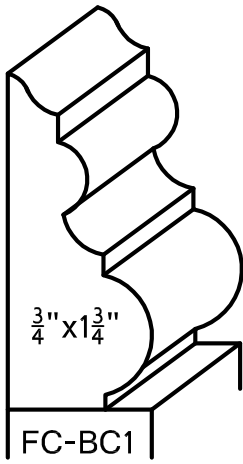


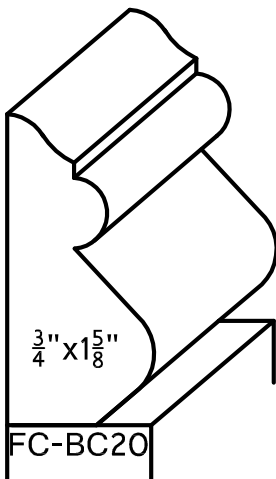
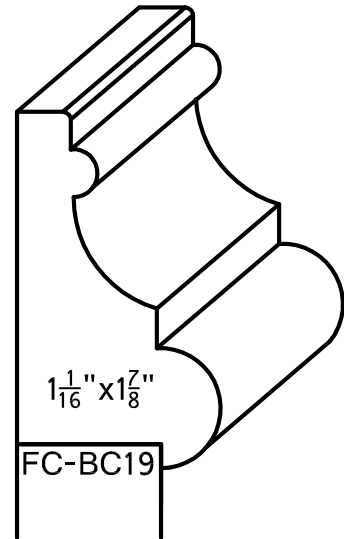
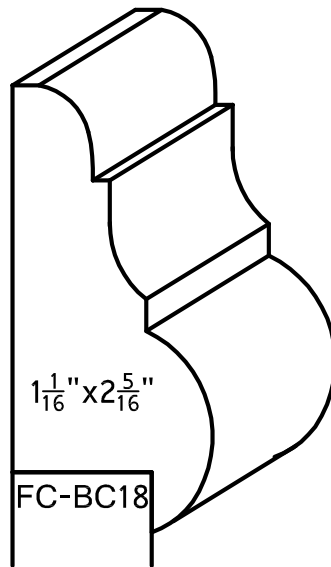
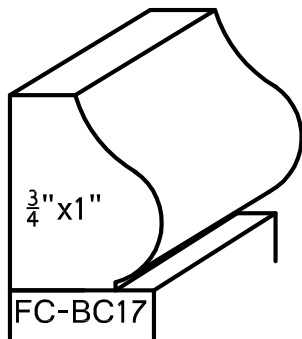
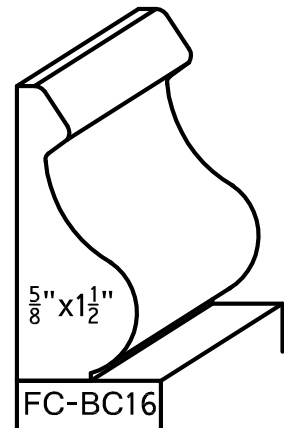
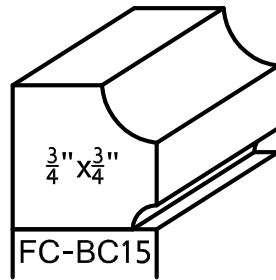
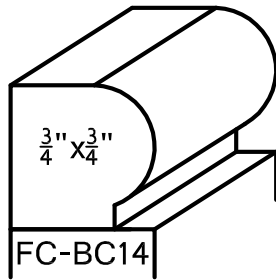
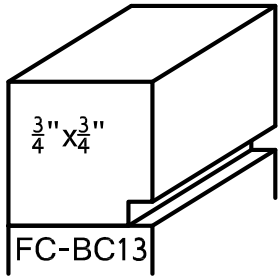
FC-B23

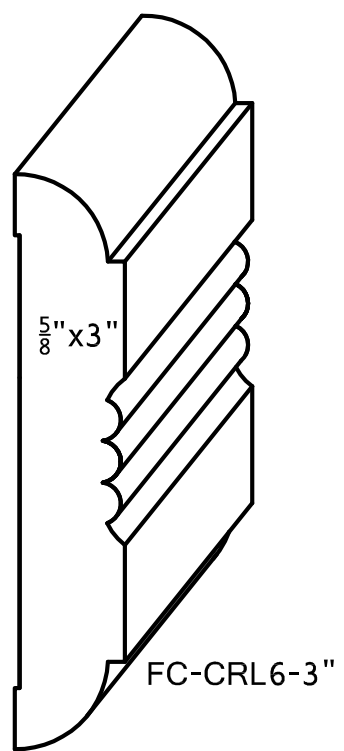
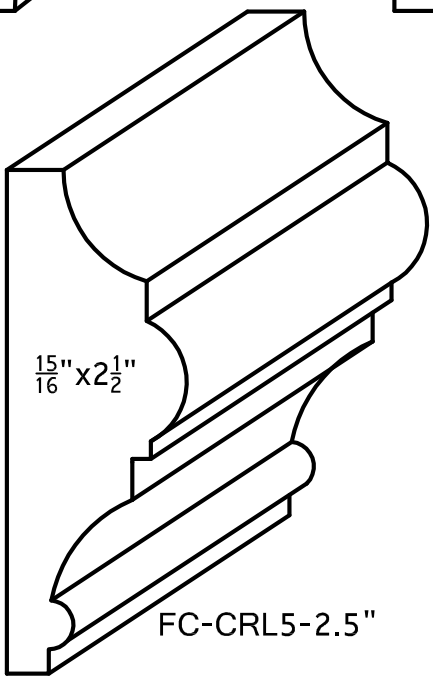
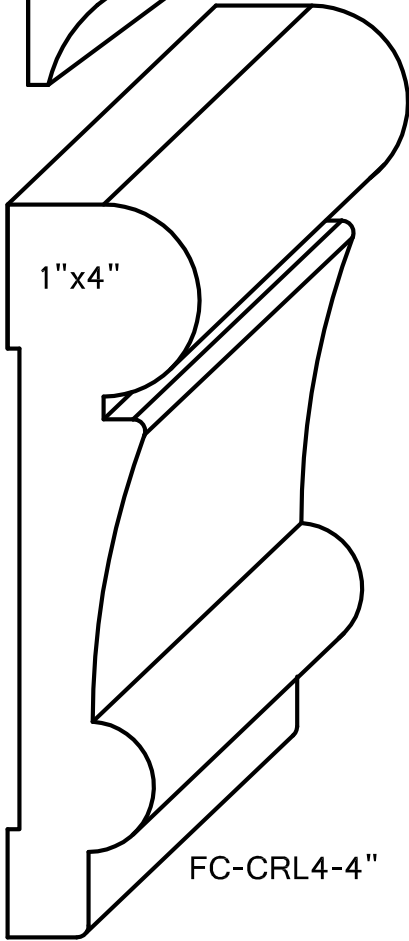
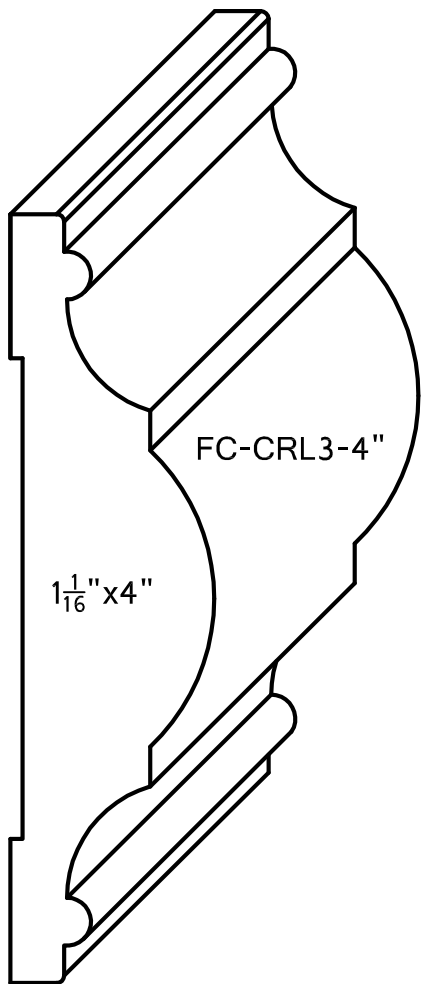
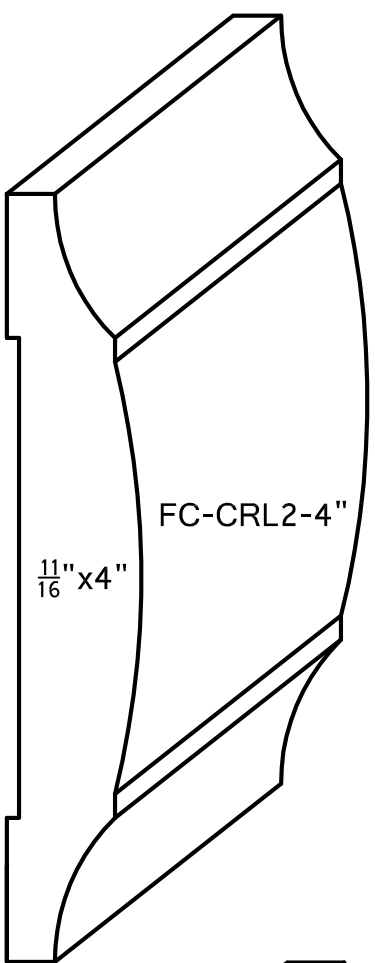
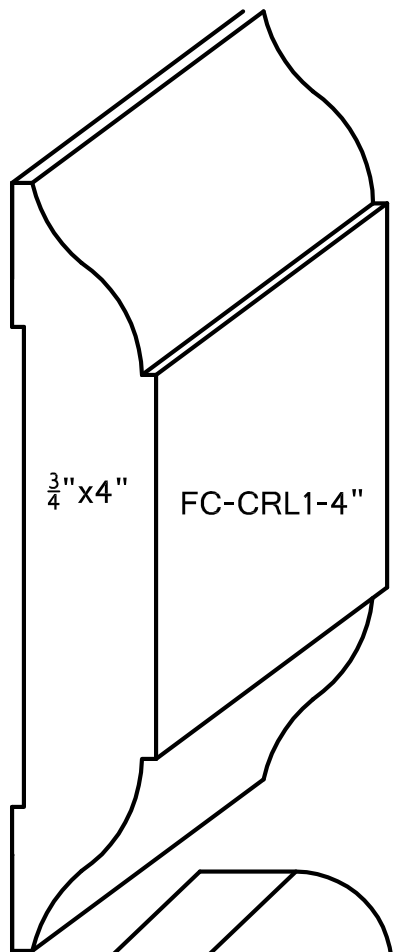


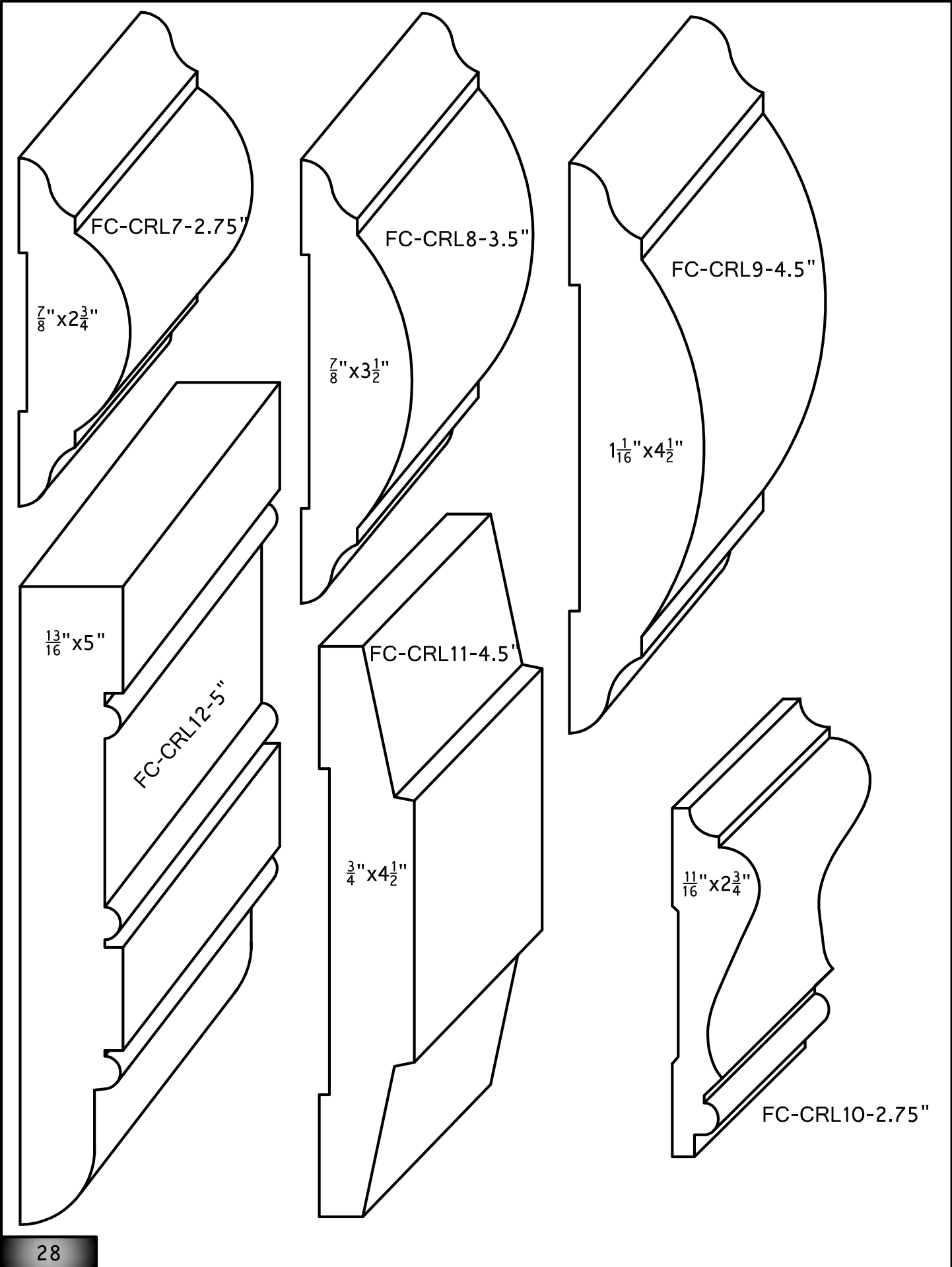
FC-B24

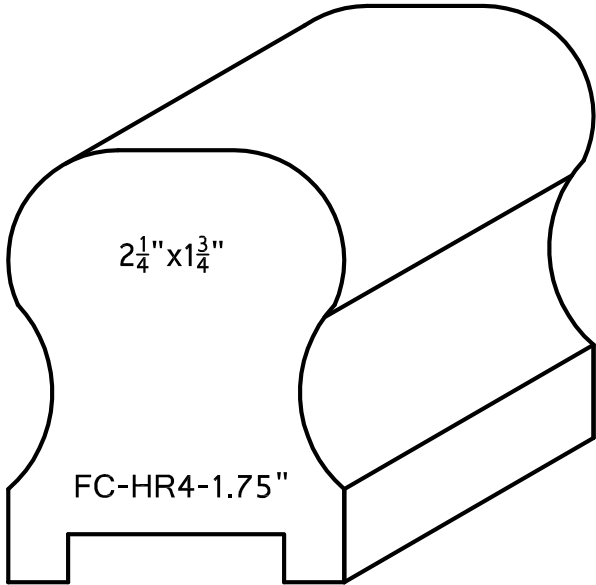
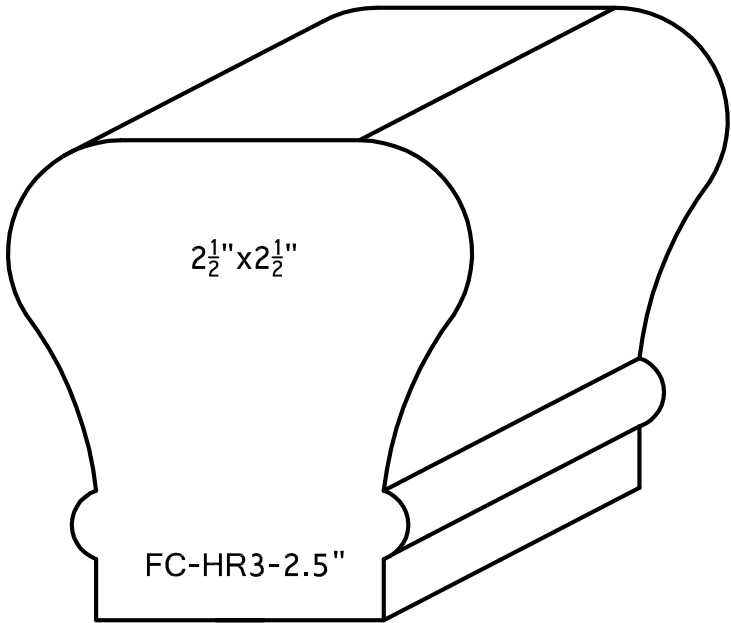
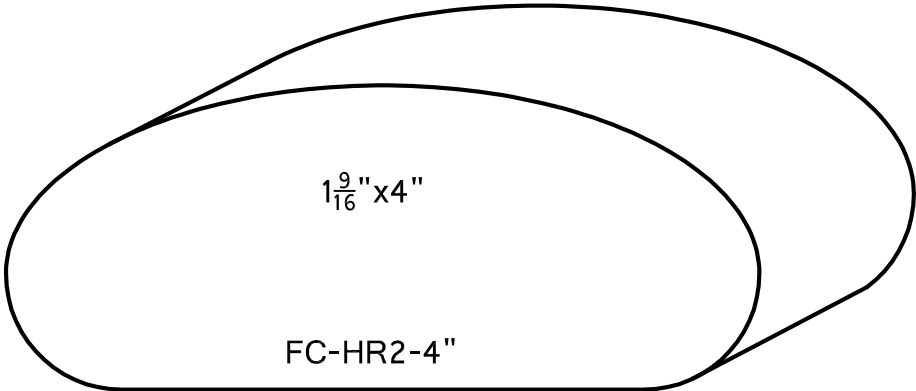
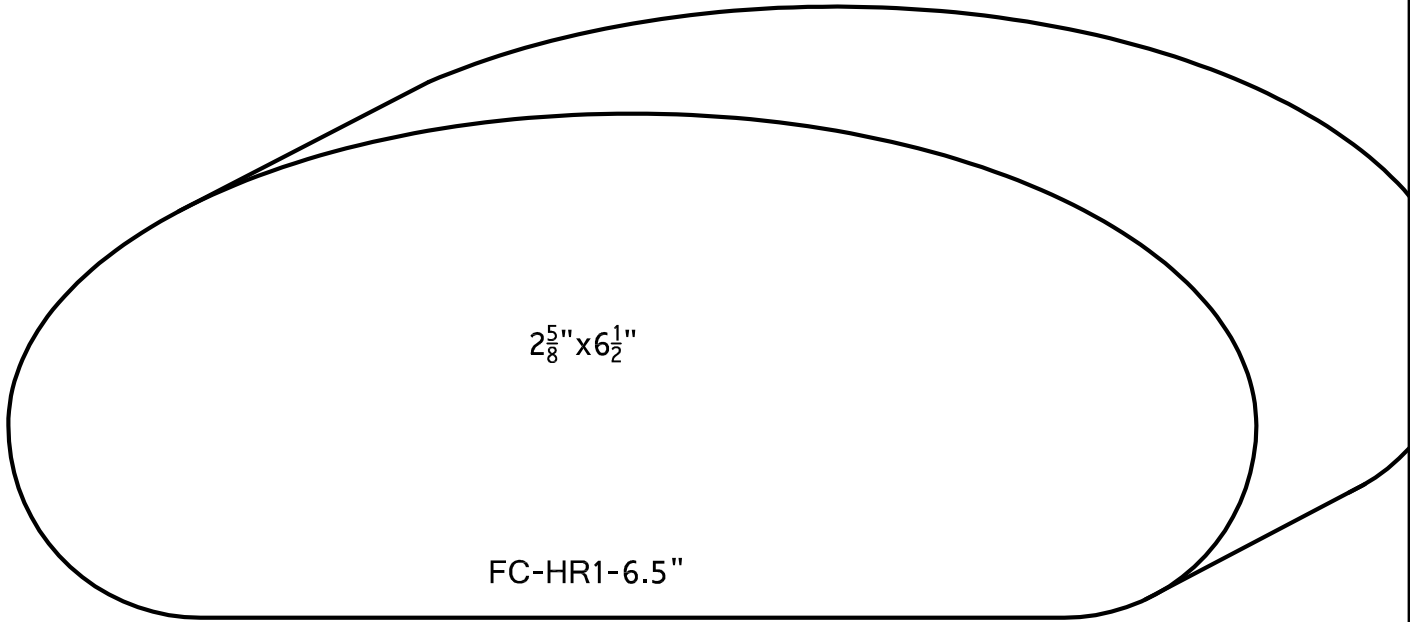
Base Moldings can be made in various thickness  
and height (up to  $8\frac{1}{2}$ " tall)



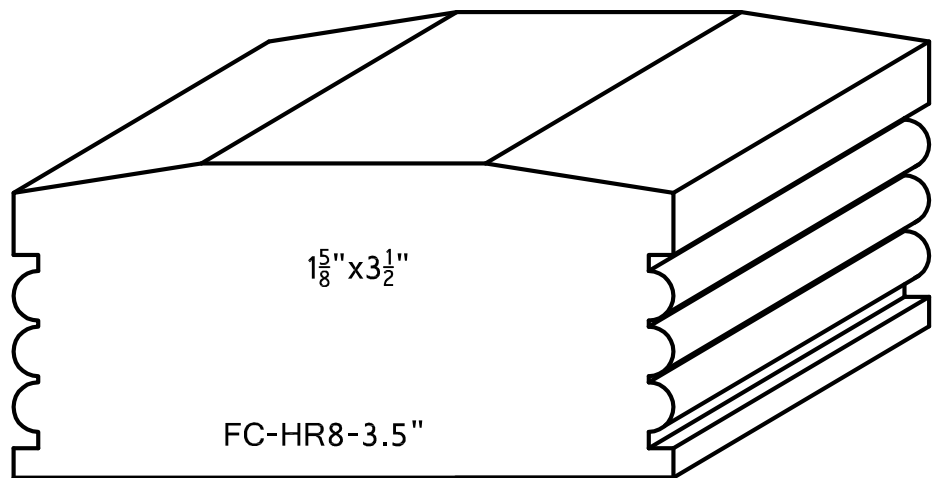
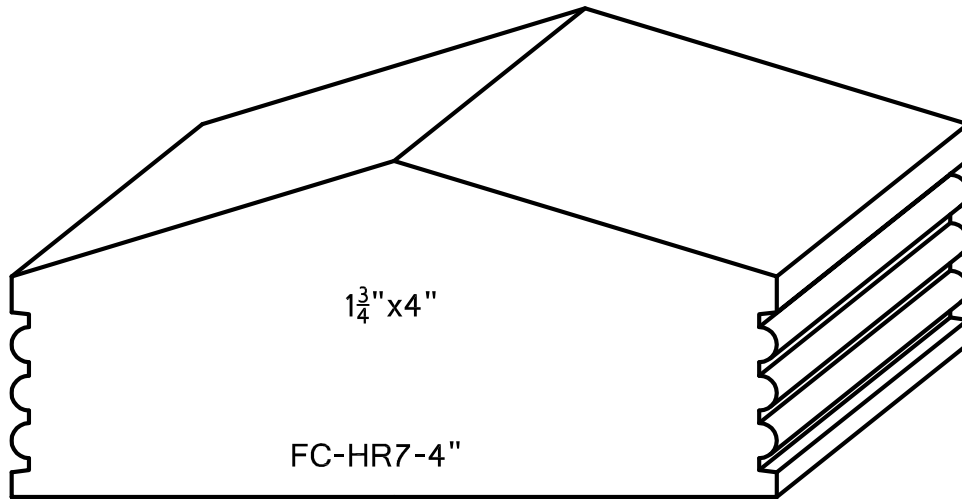
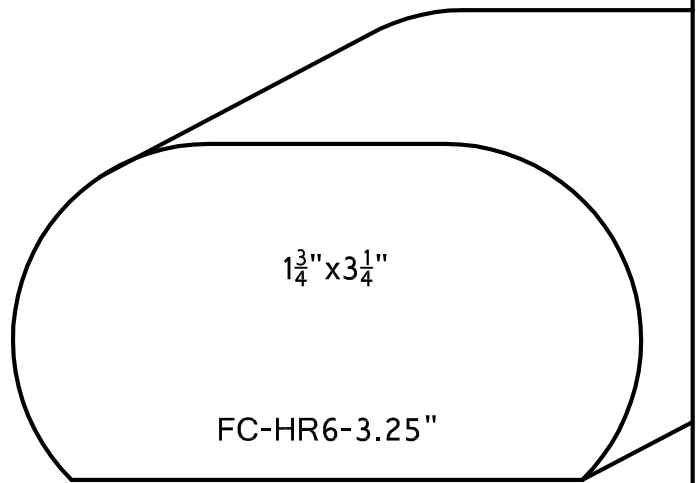
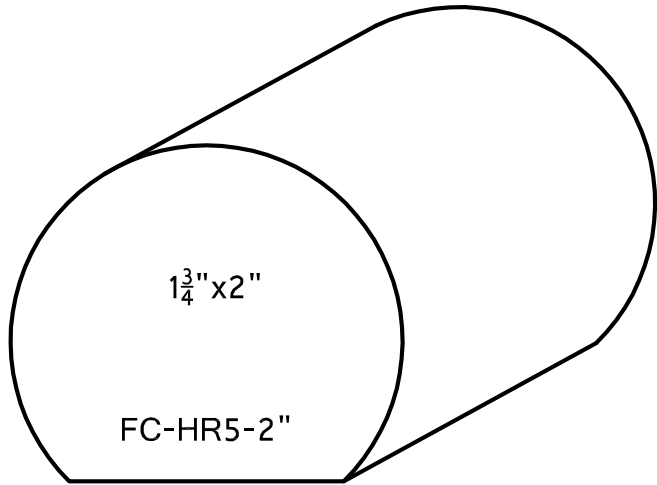




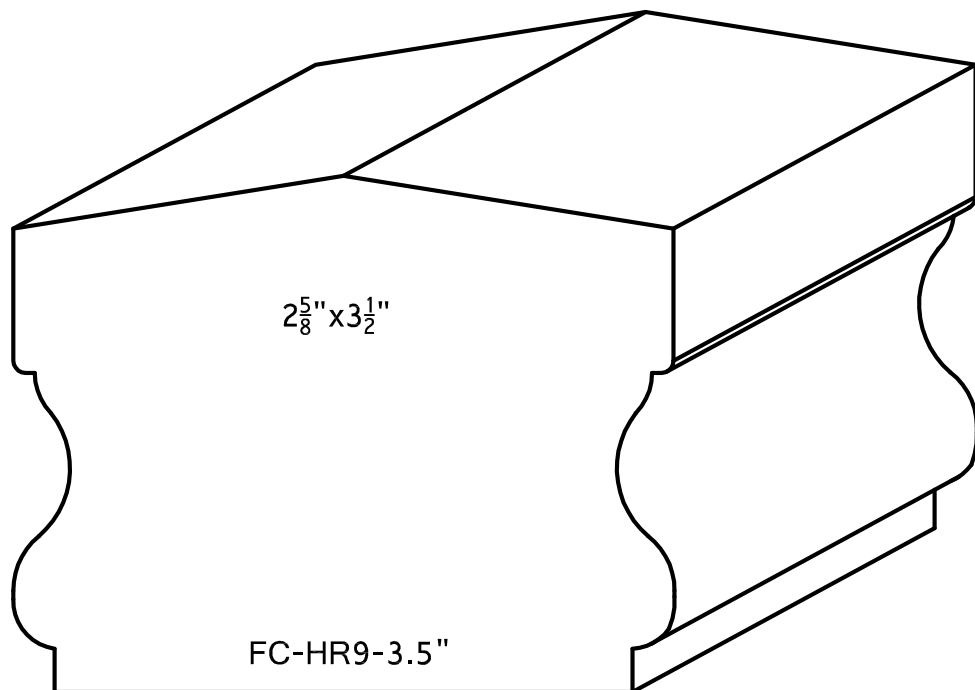
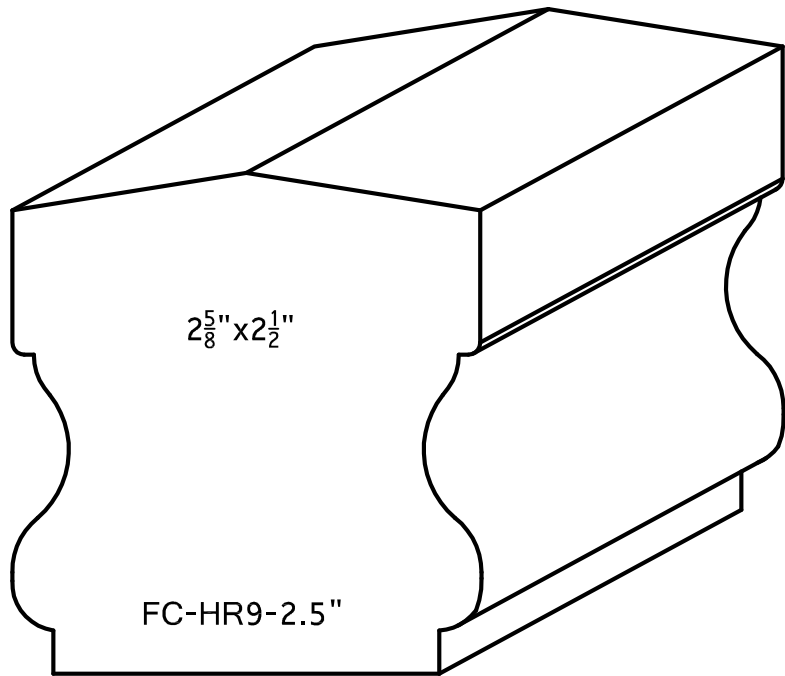




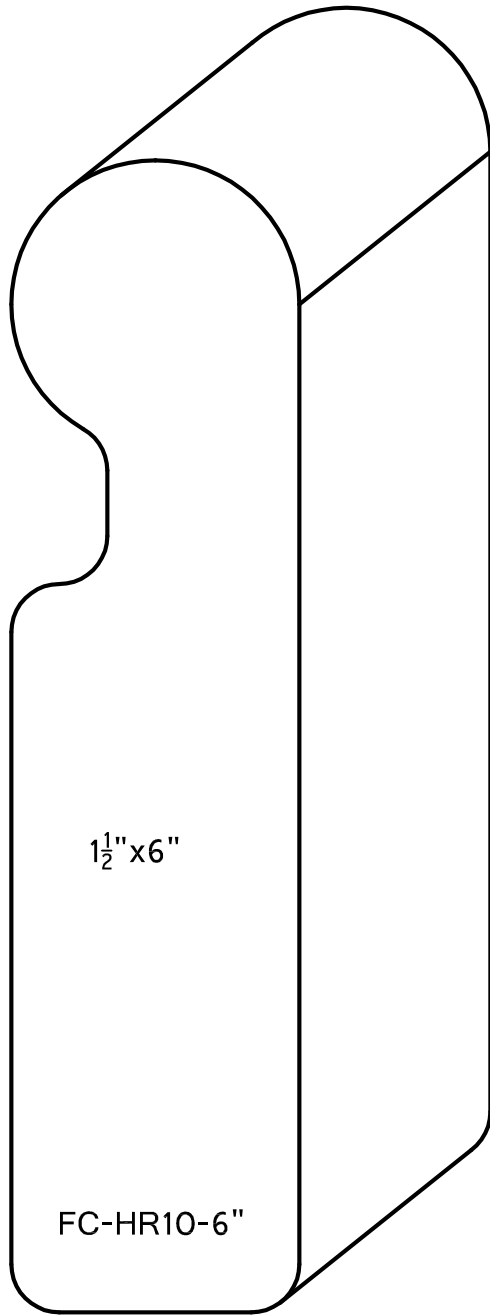
Width & Thickness is adjustable in many Handrails.



Width & Thickness is adjustable in many Handrails.

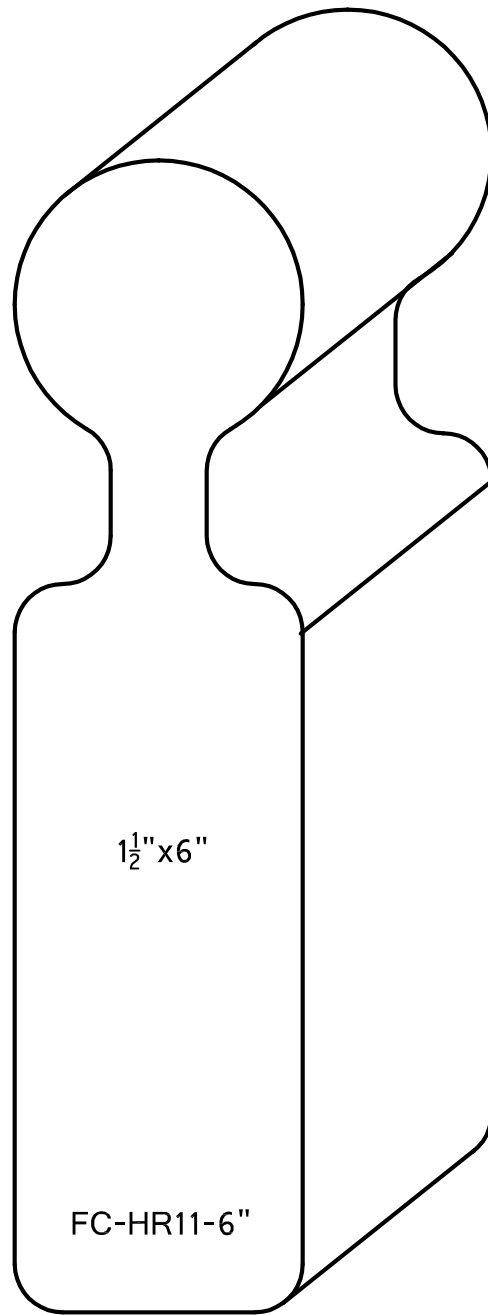


Width & Thickness is adjustable in many Handrails.



1 1/2" x 6"

FC-HR10-6"



1 1/2" x 6"

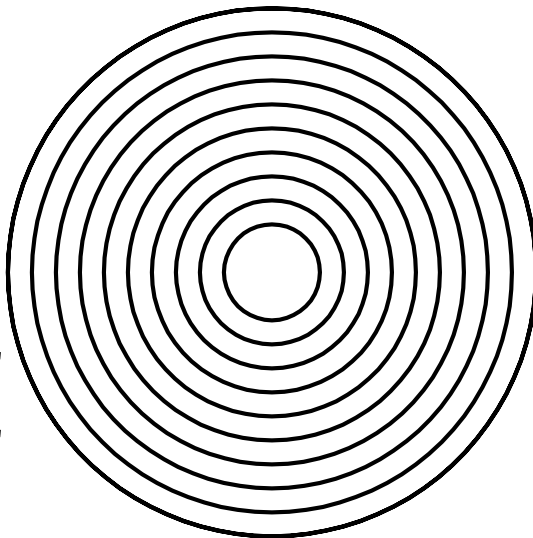
FC-HR11-6"

Width & Thickness is adjustable in many Handrails.

FULL ROUND

Available from  $\frac{1}{2}$ " to  $2\frac{3}{4}$ "  
 Diameter in  $\frac{1}{4}$ " increments

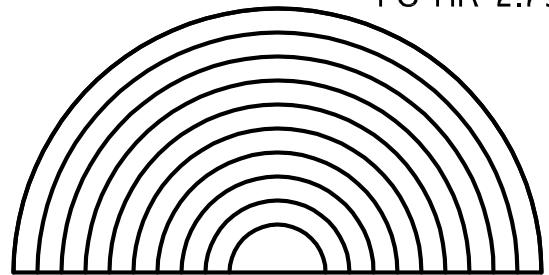
- FC-R-.5"
- FC-R-.75"
- FC-R-1"
- FC-R-1.25"
- FC-R-1.5"
- FC-R-1.75"
- FC-R-2"
- FC-R-2.25"
- FC-R-2.5"
- FC-R-2.75"



HALF ROUND

Available from  $\frac{1}{2}$ " to  $2\frac{3}{4}$ "  
 Diameter in  $\frac{1}{4}$ " increments

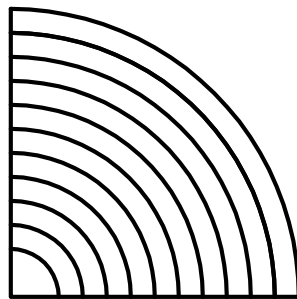
- FC-HR-.5"
- FC-HR-.75"
- FC-HR-1"
- FC-HR-1.25"
- FC-HR-1.5"
- FC-HR-1.75"
- FC-HR-2"
- FC-HR-2.25"
- FC-HR-2.5"
- FC-HR-2.75"



QUARTER ROUND

Available from  $\frac{1}{4}$ " to  $1\frac{1}{2}$ " radius  
 in  $\frac{1}{8}$ " increments

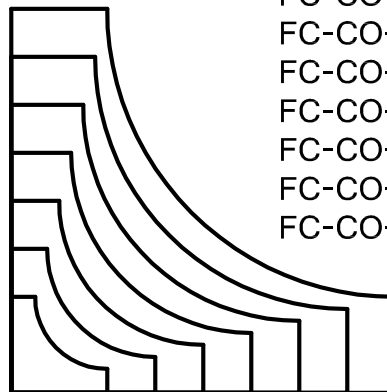
- FC-QR-.25"
- FC-QR-.375"
- FC-QR-.5"
- FC-QR-.625"
- FC-QR-.75"
- FC-QR-.875"
- FC-QR-1"
- FC-QR-1.125"
- FC-QR-1.25"
- FC-QR-1.375"
- FC-QR-1.5"



COVE MOLDING

Available from  $\frac{1}{2}$ " to 2"  
 in  $\frac{1}{4}$ " increments

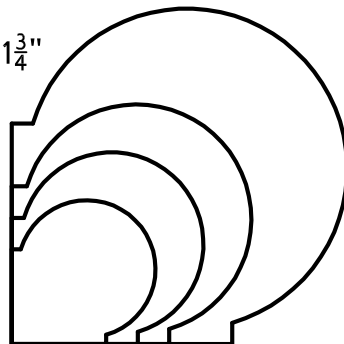
- FC-CO-.5"
- FC-CO-.75"
- FC-CO-1"
- FC-CO-1.25"
- FC-CO-1.5"
- FC-CO-1.75"
- FC-CO-2"



BEADS

Available in  $\frac{3}{4}$ ", 1",  $1\frac{1}{4}$ " &  $1\frac{3}{4}$ "

- FC-BD2-.75"
- FC-BD2-1"
- FC-BD2-1.25"
- FC-BD2-1.75"



First Cut Custom Woodworks Inc. is the manufacturer of all products seen in this catalog & more.

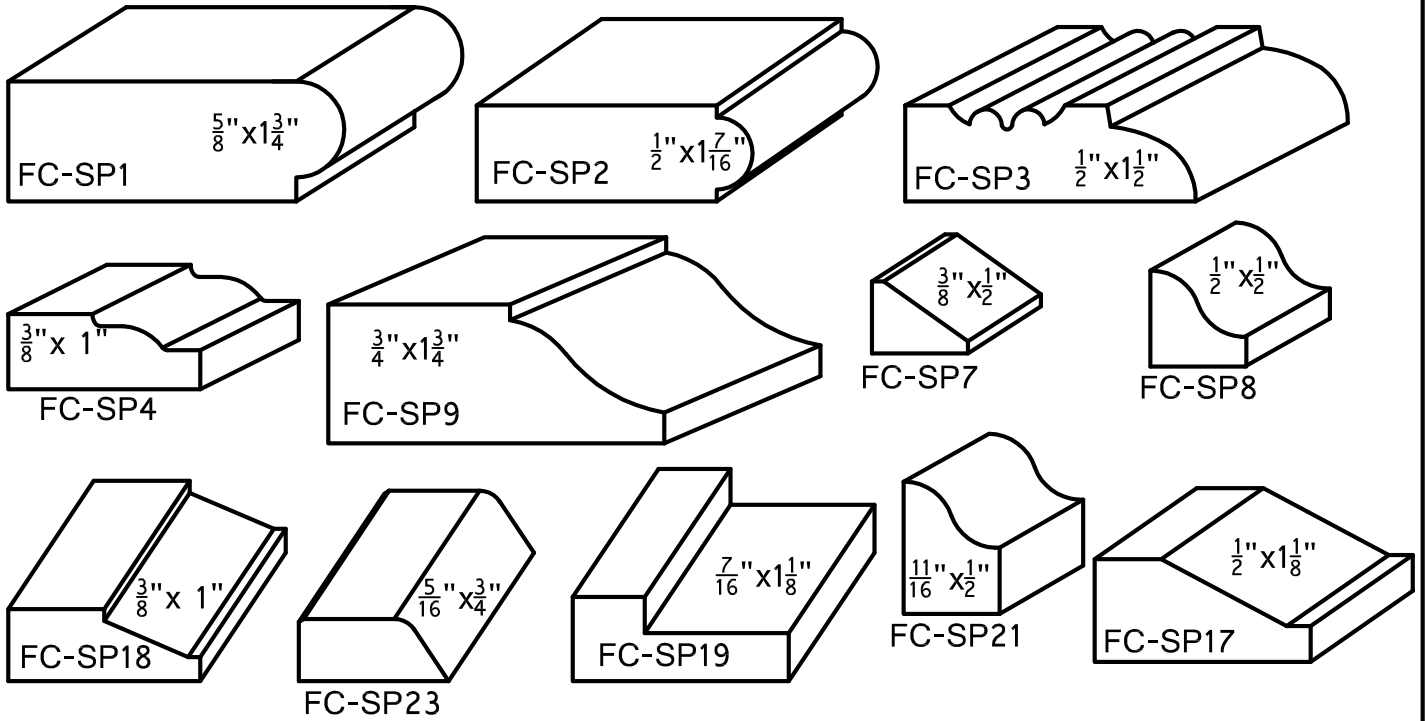
If you do not find what you are looking for we can custom produce most any shape, size or species of molding your job requires.

First Cut Custom Woodworks Inc. is a family business located in Poughkeepsie NY since 2003.

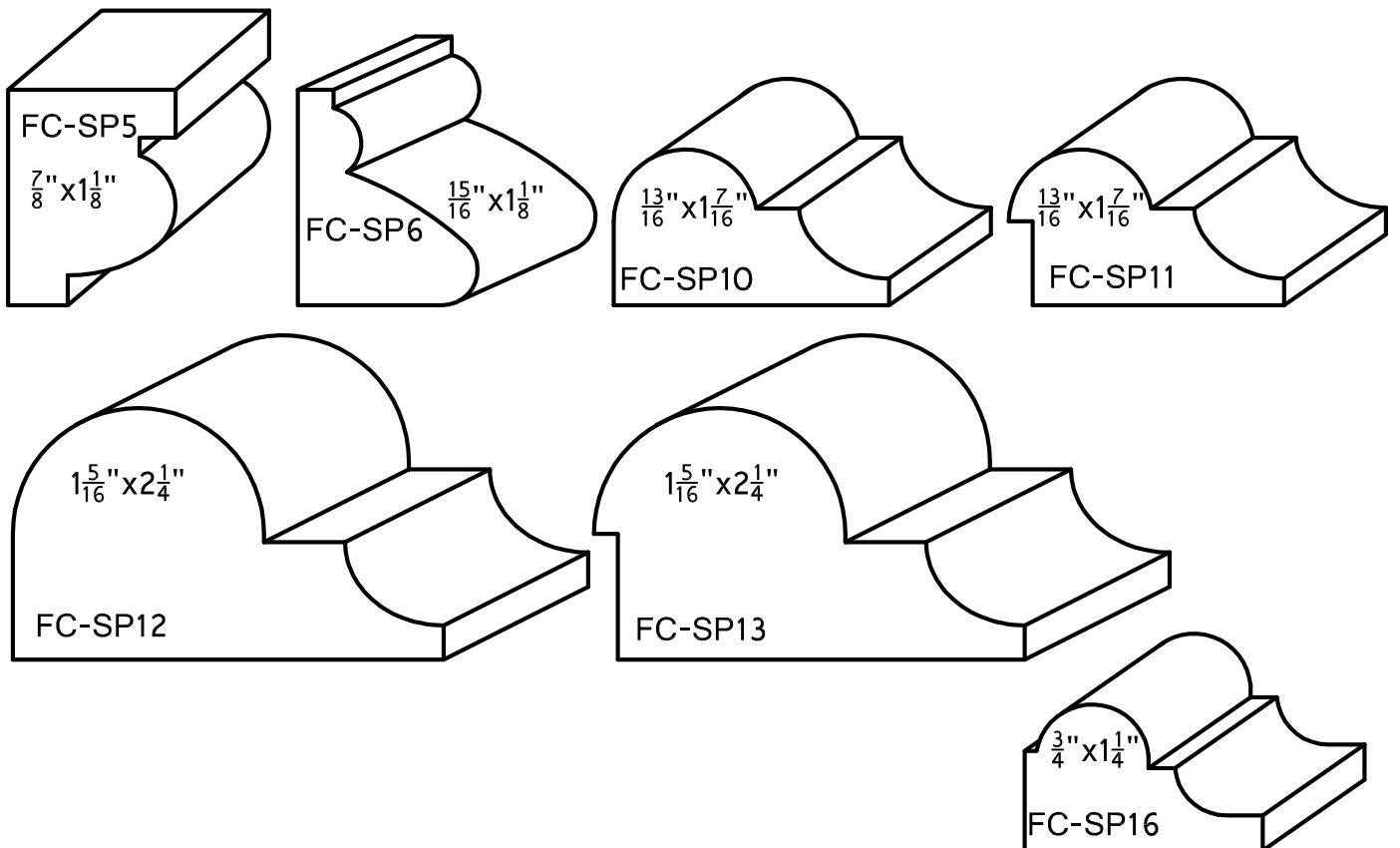
We strive to make quality products in a timely fashion at a competitive price. We also pride ourselves in our attention to our clients requests and offer customer service that cannot be beat. *(John Barber/Owner)*

## DOOR & GLASS STOPS

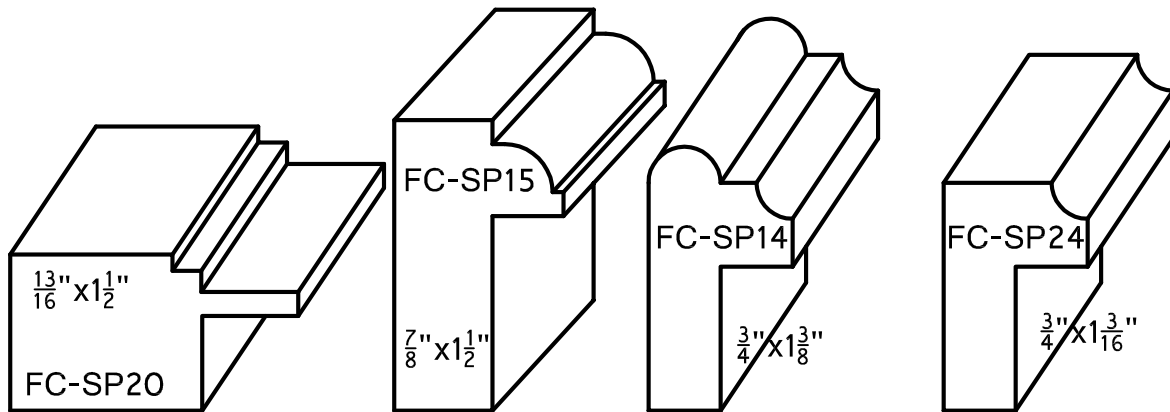
Many stops can be milled to custom width.



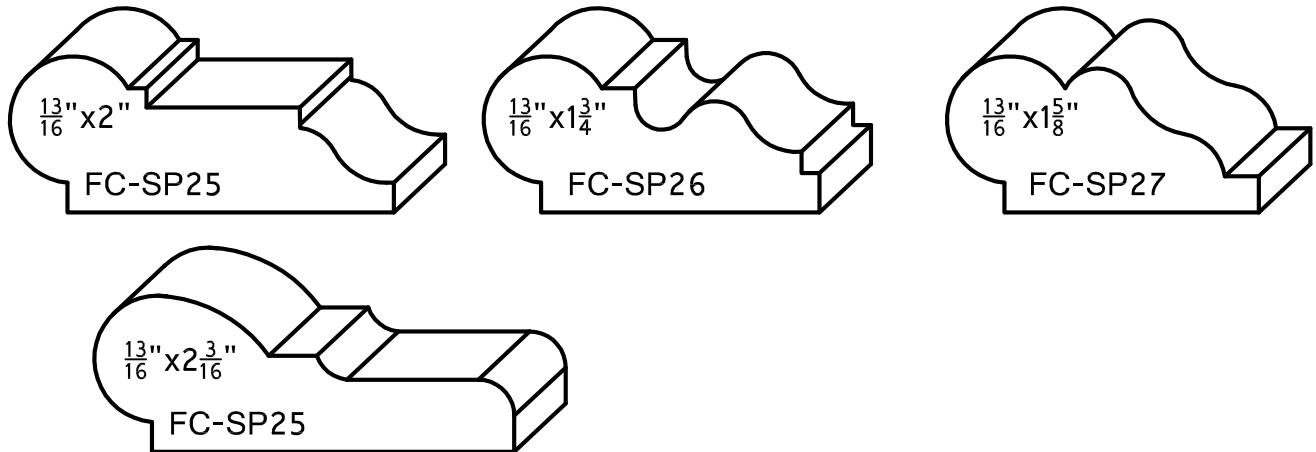
## NOSE & COVE, PANEL MOLDING



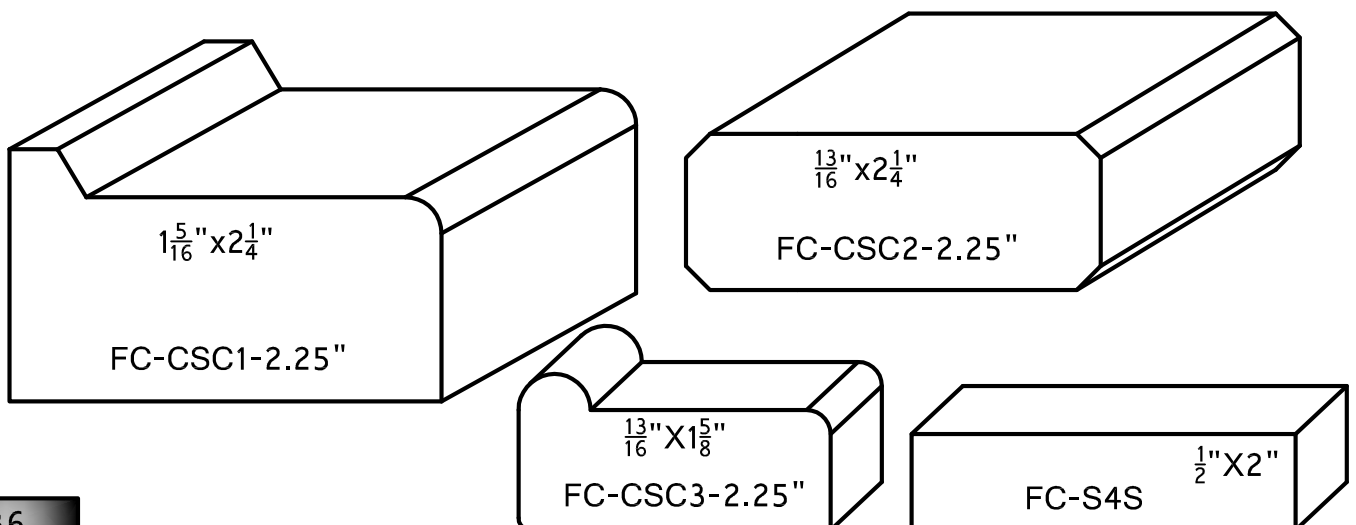
BACKBAND

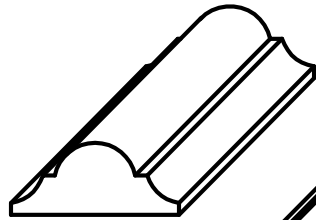


PICTURE MOLDING

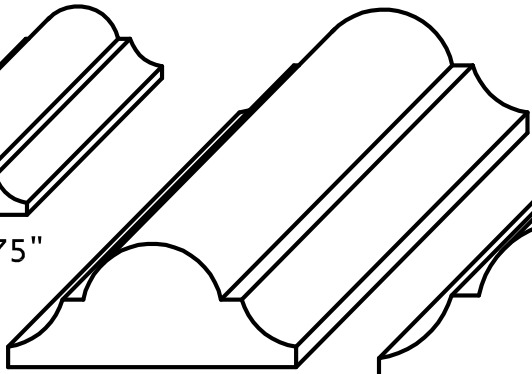


CANVAS STRETCHERS/STRAINERS & BARS

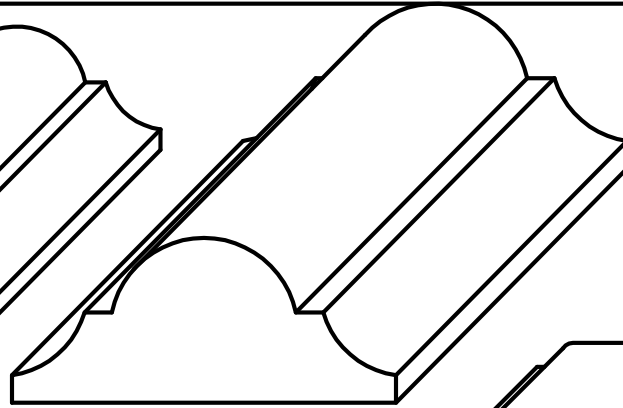




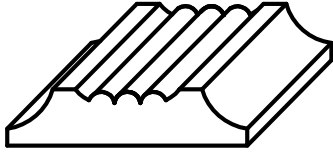
FC-A1-.875"



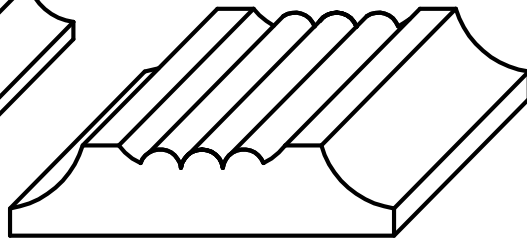
FC-A1-1.5"



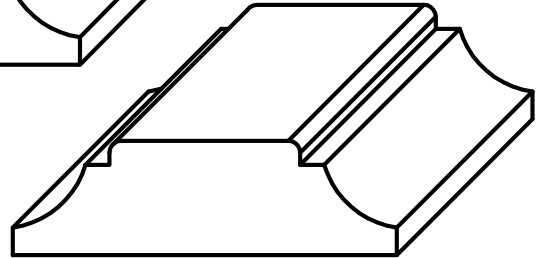
FC-A1-2"



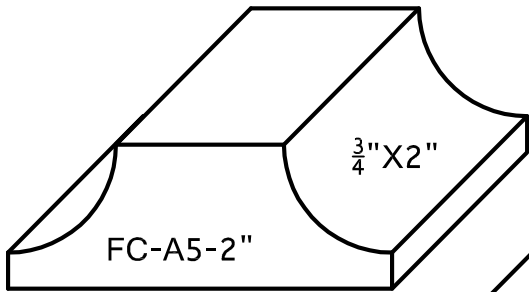
FC-A2-1.25"



FC-A2-2"

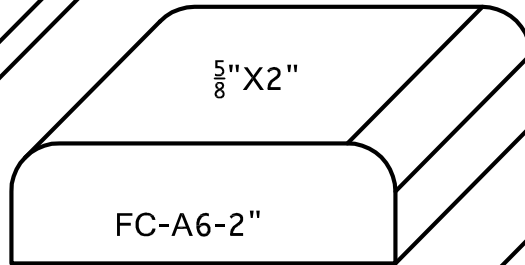


FC-A3-2"



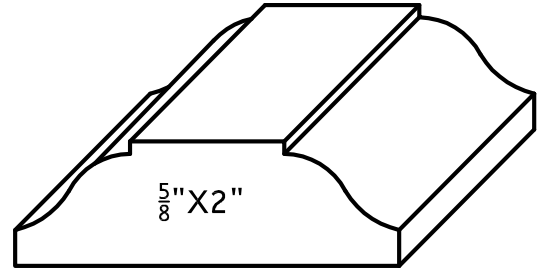
FC-A5-2"

$\frac{3}{4}$ " X 2"



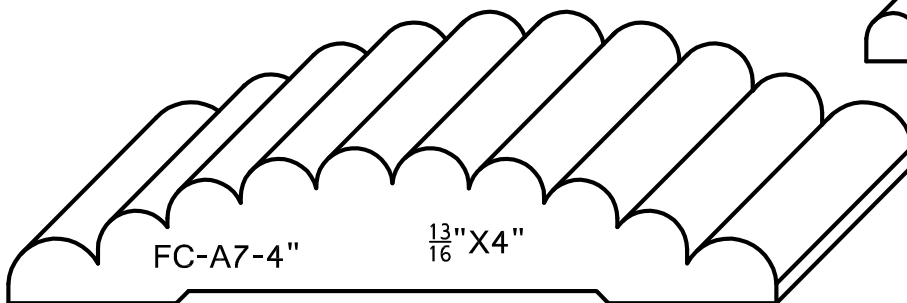
FC-A6-2"

$\frac{5}{8}$ " X 2"



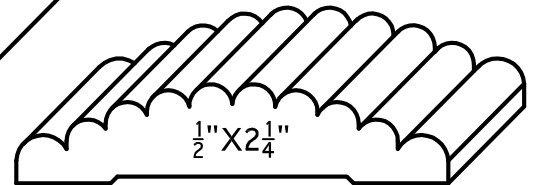
FC-A4-2"

$\frac{5}{8}$ " X 2"



FC-A7-4"

$\frac{13}{16}$ " X 4"



FC-A7-2.25"

$\frac{1}{2}$ " X  $2\frac{1}{4}$ "

MANY PROFILES CAN BE ADJUSTED FOR WIDTH & THICKNESS.

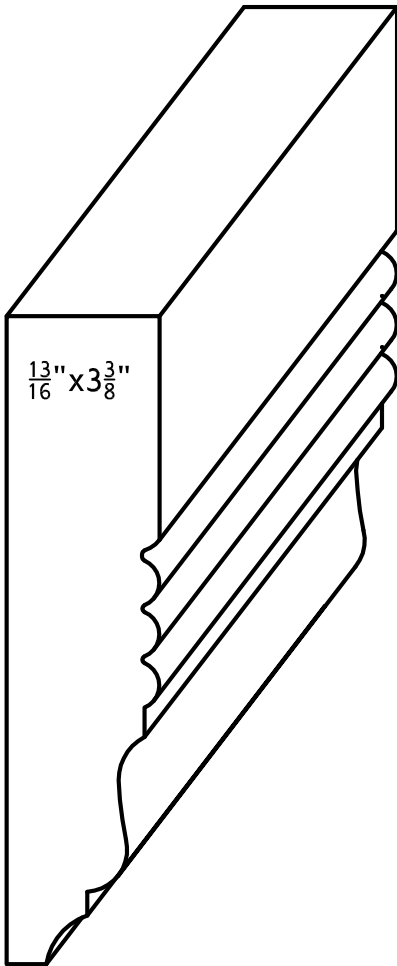
First Cut Custom Woodworks Inc. is the manufacturer of all products seen in this catalog & more.

If you do not find what you are looking for we can custom produce most any shape, size or species of molding your job requires.

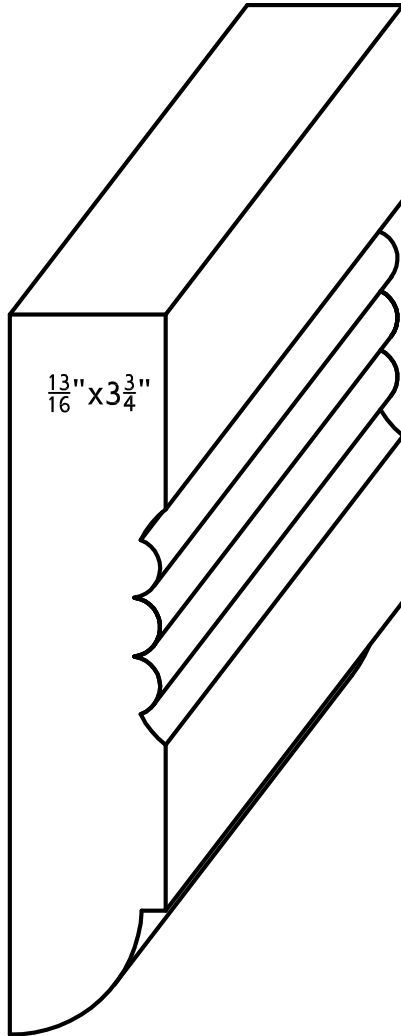
First Cut Custom Woodworks Inc. is a family business located in Poughkeepsie NY since 2003.

We strive to make quality products in a timely fashion at a competitive price. We also pride ourselves in our attention to our clients requests and offer customer service that cannot be beat. *(John Barber/Owner)*

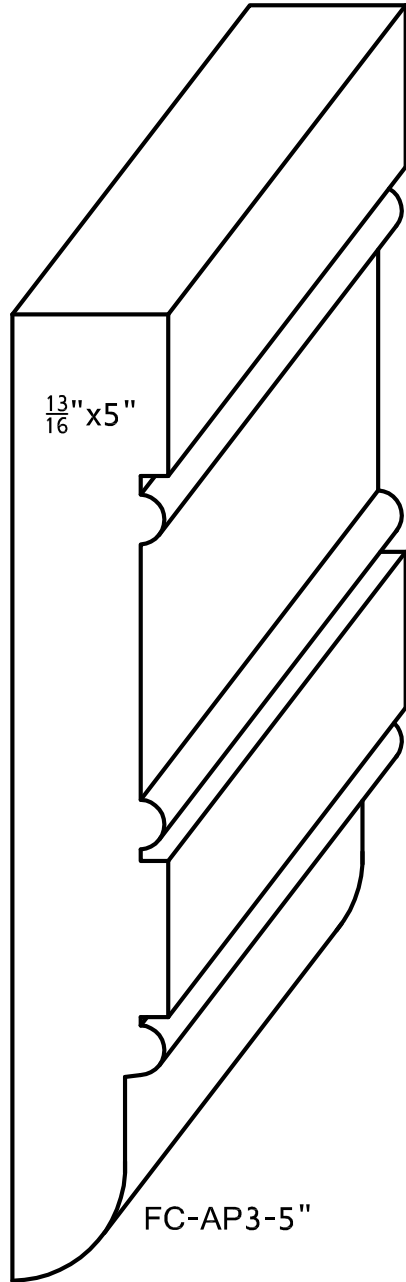
WINDOW APRONS



FC-AP1-3.375"

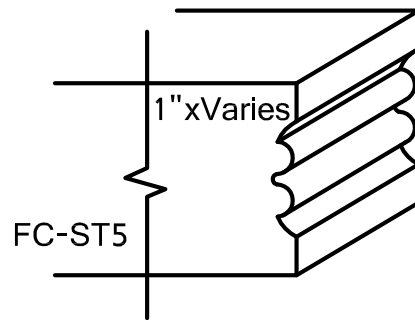
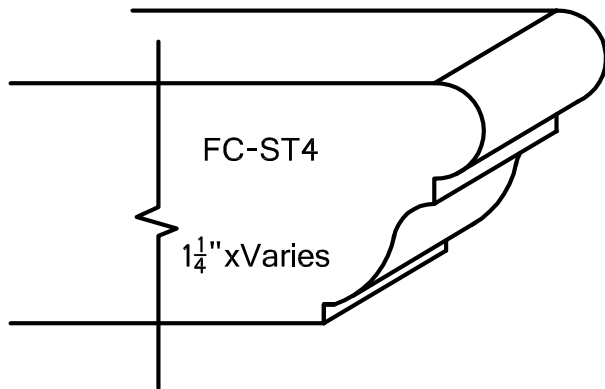
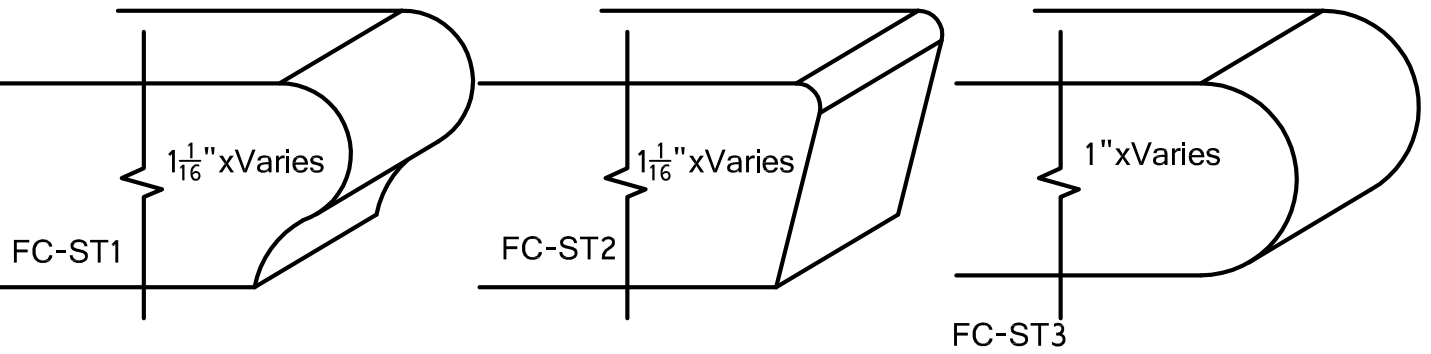


FC-AP2-3.75"



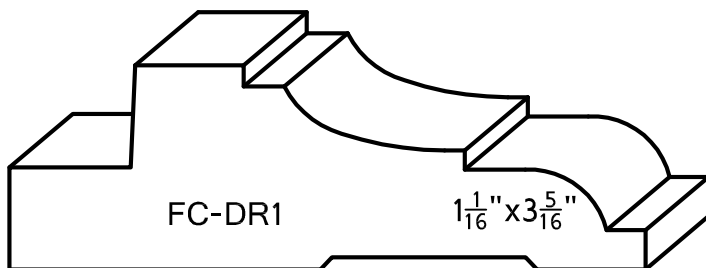
FC-AP3-5"

WINDOW STOOLS & TREADS

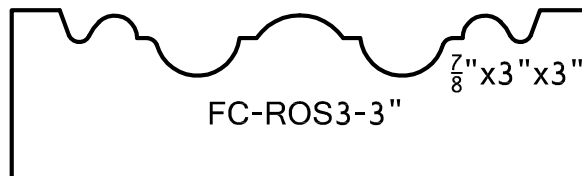
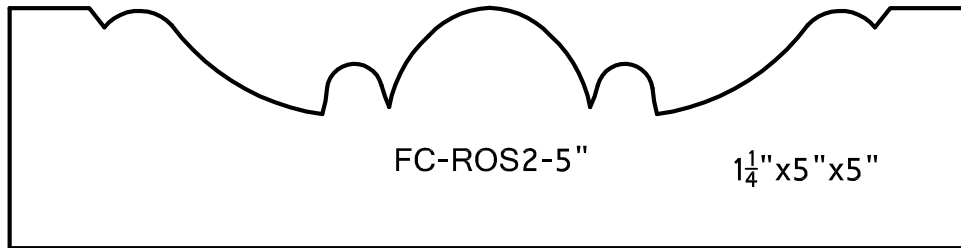
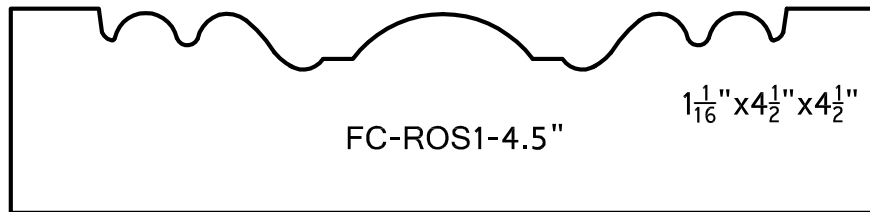


Window stools and stair treads can be made in any desired width.

DISHRAIL

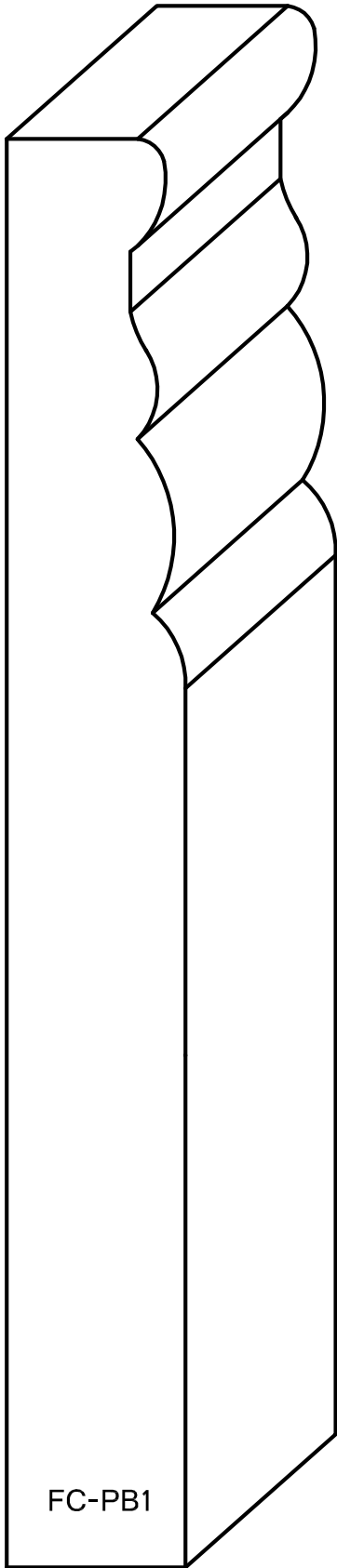


## ROSETTES

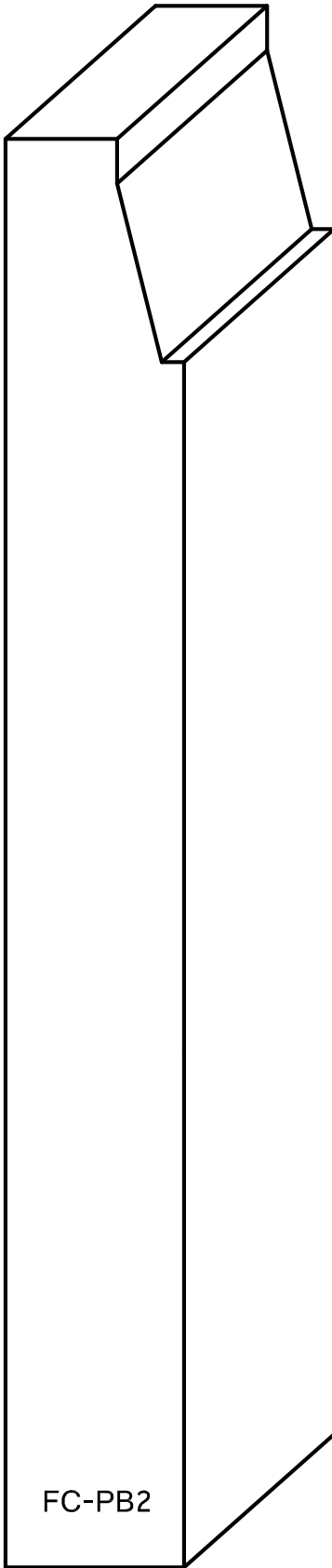


Rosettes can be made in custom sizes and thicknesses.

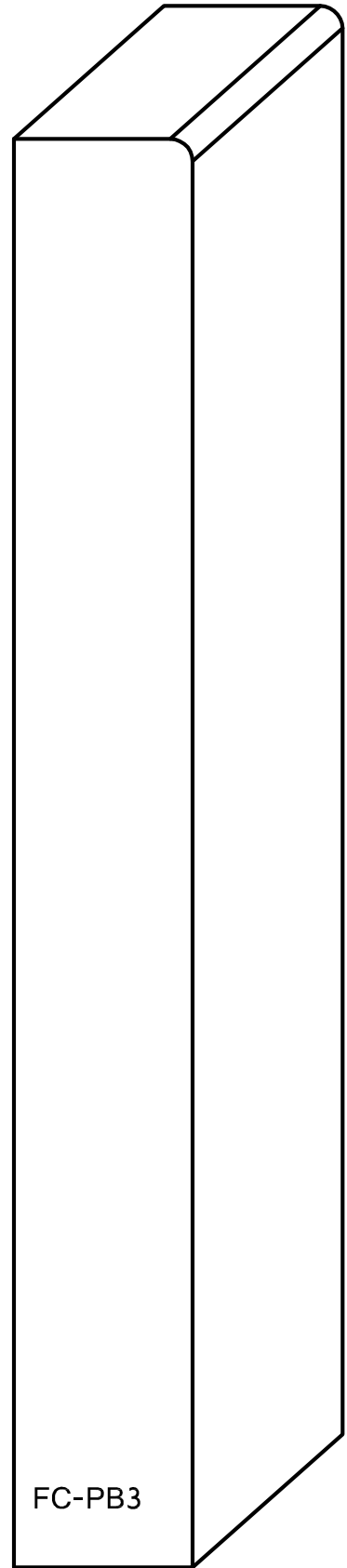
Custom Profiles can be made upon request.



FC-PB1



FC-PB2



FC-PB3

Plinth block are available in desired width, thickness & height.

Custom Profiles can be made upon request.

$\frac{3}{4}$ " TOUNGE & GROOVE FLOORING



Available from 1"-8 $\frac{1}{2}$ " wide.

$\frac{3}{4}$ " TOUNGE & GROOVE V-JOINT



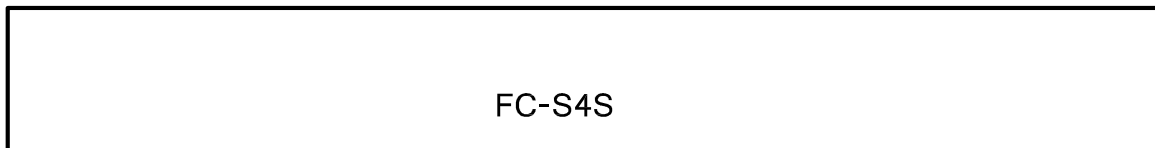
Available from 1"-8 $\frac{1}{2}$ " wide.

PANELING & WAINSCOTING



Available in Random widths 2"-8 $\frac{1}{2}$ "  
Shown as  $\frac{5}{8}$ "x3"

S4S "Surfaced 4 sides" or Square Stock



S4S Stock is available from  $\frac{1}{4}$ " - 3 $\frac{3}{4}$ " thick in many species  
and up to 8 $\frac{1}{2}$ " wide.





## **Step by Step Custom Reproduction Order Process**

### **Step 1: Call**

- Call us and we'll advise you whether to
- Send a sketch
- Scan your profile or
- Mail us a piece of the molding you want reproduced

### **Step 2: Quote**

To produce an accurate quote we will need the following information:

- Species of Wood
- Quantity in Linear Feet
- A Profile

You will receive a fast quote and lead time via Fax, Email or Phone call.

### **Step 3: Grind Profile Knives**

Upon your request and approval we will proceed to grinding a set of knives specifically for your job.

### **Step 4: Mill Work**

We mill your job to exacting standards in our molding equipment.

### **Step 5: Bundling and Shipping**

Your order is bundled and you will be notified of the completion of the job and pick up or delivery will be arranged.

*For more information about custom molding please visit our website  
[www.firstcutcustomwoodworks.com](http://www.firstcutcustomwoodworks.com)*

# First Cut Custom Woodworks Inc.

19c Industry St. Poughkeepsie, NY 12603

PH: 845.485.4105

FAX: 845-485-4106

FirstCut@Verizon.net

[www.FirstCutCustomWoodworks.com](http://www.FirstCutCustomWoodworks.com)

- Standard Moldings
- Custom Moldings
- Priming
- Hardwood, Softwood, Mahogany
- Exotic & Domestic Species
- Fast Turnaround Time
- Competitive Pricing



19c Industry Street  
Poughkeepsie, NY 12603